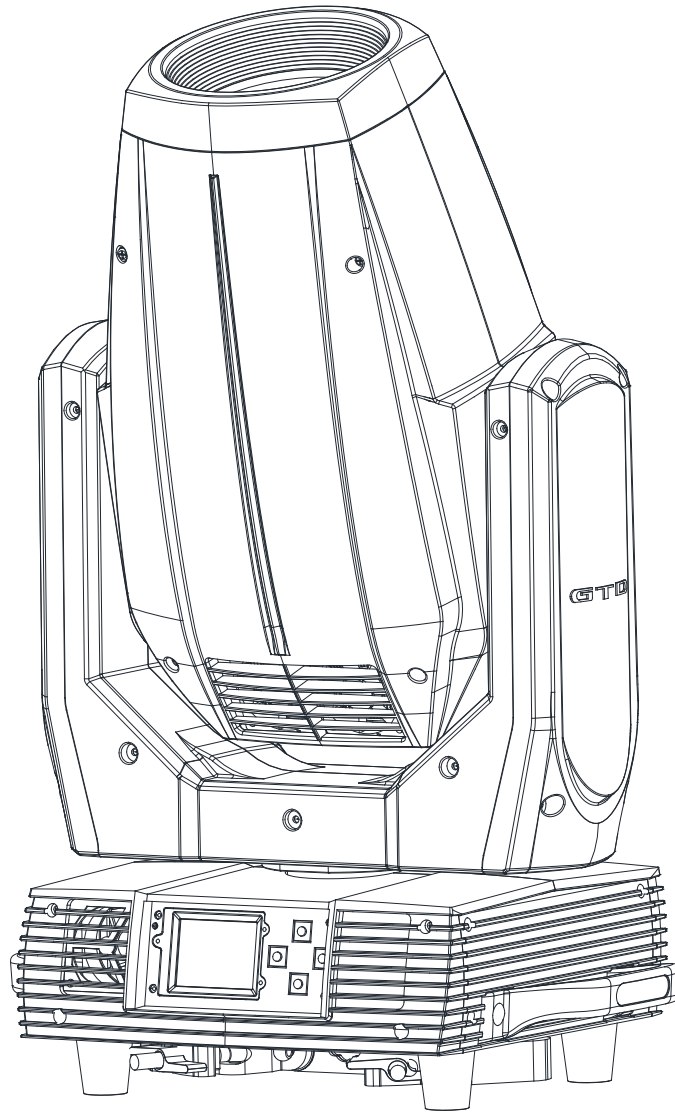


GTD



GTD-LM330 II BSW

Moving Head

User Manual

GTD all rights reserved. Information, specifications, diagrams, images, and instructions herein are subject to change without notice. GTD logo and identifying product names and numbers herein are trademarks of GTD. Copyright protection claimed includes all forms and matters of copyrightable materials and information now allowed by statutory or judicial law or hereinafter granted. Product names used in this document may be trademarks or registered trademarks of their respective companies and are hereby acknowledged. All non-GTD brands and product names are trademarks or registered trademarks of their respective companies.

GTD and all affiliated companies hereby disclaim any and all liabilities for property, equipment, building, and electrical damages, injuries to any persons, and direct or indirect economic loss associated with the use or reliance of any information contained within this document, and/or as a result of the improper, unsafe, insufficient and negligent assembly, installation, rigging, and operation of this product.

Guangzhou GTD Culture & Technology Group Co.,Ltd. | 27 Fu Yuan Yi Road, Guangzhou 510805, P.R.China
+86-20-61808296 | +86-20-61812282 fax | www.gtd-lighting.com | contact@gtd-lighting.com

P/N: 1502011105A

Contents

| | |
|---|-----------|
| 1. Safety instructions..... | 1 |
| 2. Product introductions..... | 3 |
| 2.1 Dimensions..... | 3 |
| 2.2 Fixture overview..... | 4 |
| 2.3 Accessories..... | 4 |
| 3. Packing and shipping..... | 5 |
| 3.1 Protection lock..... | 5 |
| 3.2 Unpacking..... | 5 |
| 3.3 Packing after use | 6 |
| 4. Installation..... | 7 |
| 4.1 Clamps installation..... | 7 |
| 4.2 Device installation..... | 7 |
| 5. Power / Control connection | 8 |
| 5.1 Power connection | 8 |
| 5.2 Control connection | 8 |
| 5.3 Testing..... | 8 |
| 6. Control panel..... | 9 |
| 6.1 Panel instruction..... | 9 |
| 7. Technical specification..... | 10 |
| 8. Gobos and colors. | 12 |
| 8.1 Gobos | 12 |
| 8.2 Colors | 12 |
| 9. Menu structure..... | 14 |
| 10. DMX protocol..... | 17 |
| 11. System wiring diagram..... | 28 |
| 12. Maintenance and Troubleshooting..... | 29 |
| 12.1 Cleaning and maintenance..... | 29 |
| 12.2 Troubleshooting..... | 29 |
| 13. Spare parts list..... | 32 |

1. Safety instructions

Before using the fixture, read the latest version of the product user manual, paying particular attention to the safety instructions. Please check www.gtd-lighting.com for the latest revision/update of the user manual.



The manufacture of this fixture, are not responsible for damages, resulting from misuse of this fixture, due to the disregard of the information printed in this user manual.



DANGER!

Hazardous voltage. Risk of lethal or severe electric shock



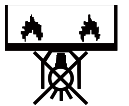
WARNING!

Wear protective eyewear. Never look directly into the light source.



WARNING!

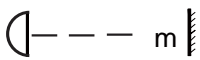
Burn hazard. Hot surface. Do not touch.



Only to direct mounting on non-combustible surfaces.



Replace all cracked glass shields.



Minimum distance to lighted objects.

$t_a \dots ^\circ\text{C}$

Maximum ambient temperature.

$t_c \dots ^\circ\text{C}$

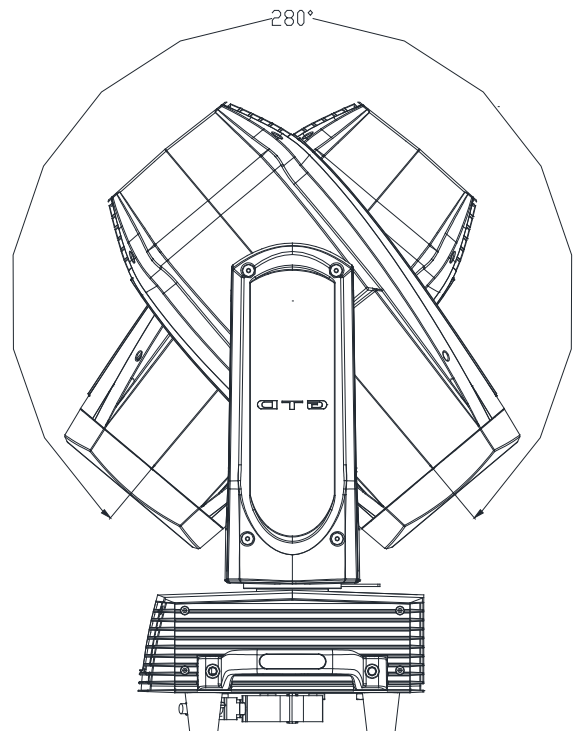
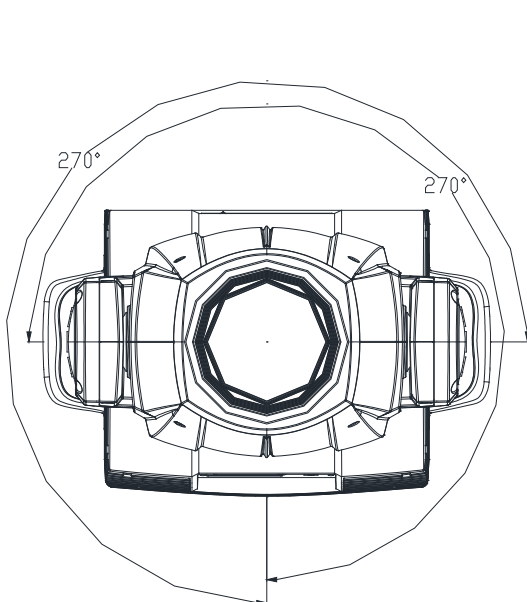
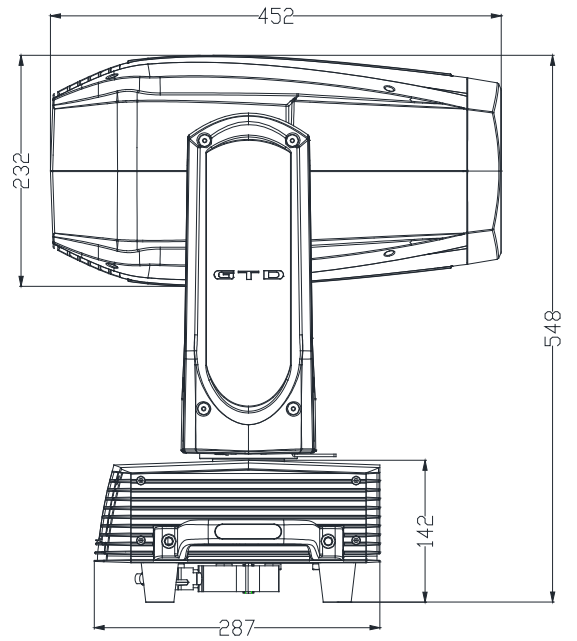
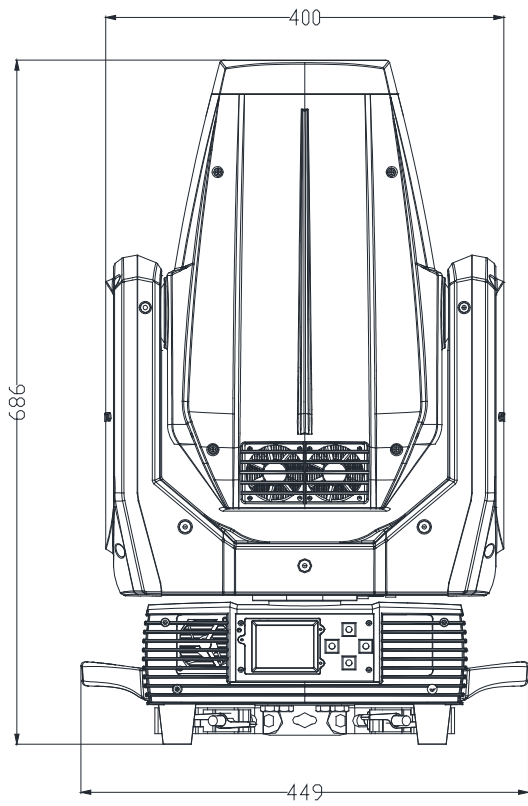
Maximum temp of the external surface.

General guidelines

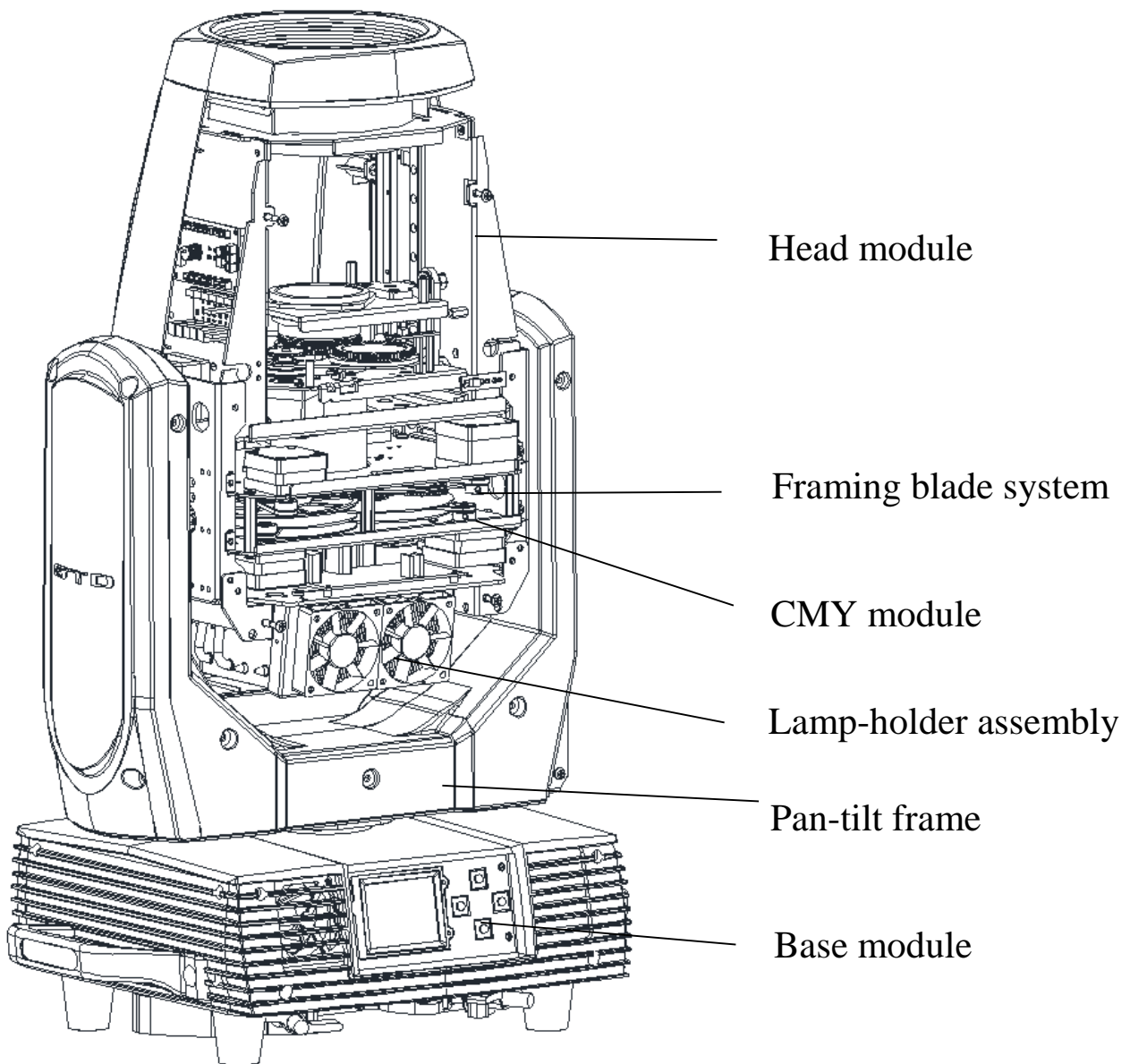
- The protection rating of this product IP20.
- Never open this fixture while it is in use.
- The fixture should be kept clean. DO NOT operate the fixture in extreme heat or dusty environments. Avoid contact with chemical liquid.
- Minimum distance to lighted objects must be 16.4 feet (5m).
- Maximum temp of the external surface 167°F (75°C).
- Maximum ambient temperature 113°F (45°C).
- Minimum distance of inflammable materials from the surface 1.6 feet (0.5m).
- Lamp should be replaced if damaged or distorted in shape due to extreme heat.
- Cover, prism or LCD Menu Function Display with visible damages such as cracks or scratches must be replaced to ensure performance of the fixture.
- Disconnect the fixture from power before changing any parts or accessories.
- Basic insulation should be maintained between the controllable device and the product power supply.
- Make sure that the installation area can hold a minimum point load of 10 times the weight of all installed fixtures, clamps, cables, auxiliary equipment, etc. Make sure that the cover, clamps and locks are undamaged. Certified safety cables must always be used when installing the fixture.
- The fixture is only intended for installation, operation and maintenance by qualified professional. Instructions stated in the manual must be complied.
- The fixture must be kept in a well-ventilated place at least 50 cm away from any wall surface. Check if the fans or ventilation openings are unblocked.
- This fixture uses discharge lamp. Avoiding reduce the lamp's life, wait at least 15 minutes after powering off to allow the unit to cool down before handling.
- To ensure operational safety, broken or damaged cables and light source can only be fixed or replaced by certified technicians, certified local distributors or the manufacturer.
- Do not stick filters or other materials onto the lens. Do not modify the fixture or install other than GTD manufactured parts.
- For questions regarding safety operation, please contact our technical personnel or call the service hotline +862061808296.

2. Production instructions

2.1 Dimensions



2.2 Fixture overview



2.3 Accessories

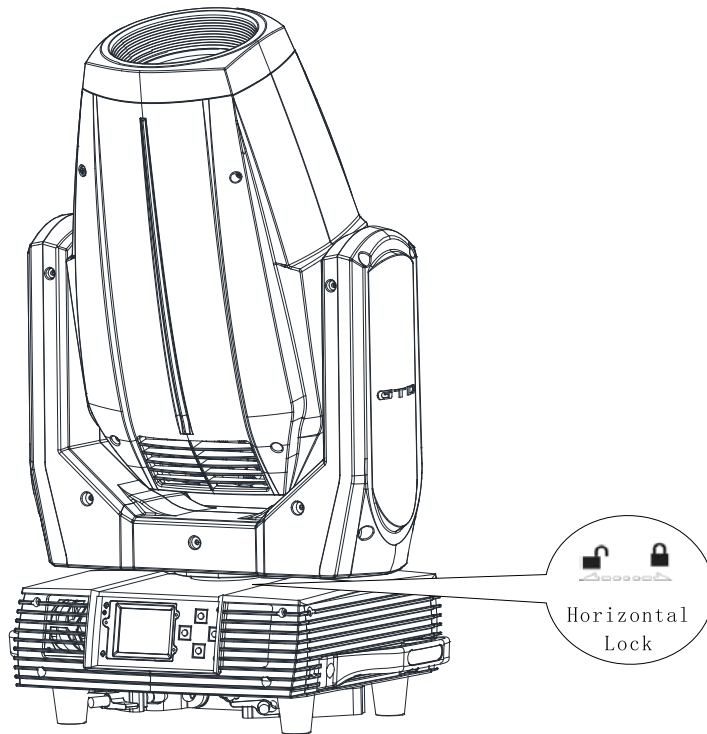
| Item | Qty | Unit | Remark |
|--------------------|-----|------|---|
| User Manual | 1 | Pc | -- |
| Clamps | 2 | Set | Hanging integrated folding lamp. |
| Safety cable | 1 | Pc | Φ4*60cm 7*19 pc with hook Material: Steel |
| 3-pins signal line | 1 | Set | 1.5m*2.5mm ² connect blue plug |

3. Packing and shipping

3.1 Protection lock

Pan and tilt locks are equipped to ensure safe transportation.

The horizontal axis has 4 locking points and the vertical axis has 5 locking points.



3.2 Unpacking

Notes

All products are quality controlled before they dispatched to customers. If the fixture is damaged during delivery, the customer must notify the shipper and manufacturer to file a damage insurance claim. Photographic evidence of the damage must be provided.

Flight–Case(specification: 1148*650*555mm): Uncover the flight–case and remove the plastic packing bags. Hold the handles of the fixture firmly and take it out carefully.

Cardboard box(specification: 590*510*635mm): Open the box and take out the whole set of packaging foam which are contained both the fixture and its accessories. Remove the foam from the top, put away the accessories, and then take out the fixture wrapped in the plastic bag.

Notes

Check if the pan and tilt are locked before connecting the fixture to power.

3.3 Packing after use

1. Switch off the fixture and wait for at least 5 minutes before disconnecting it from AC power. Cool down the fixture for at least 15 minutes before packing.
2. Lock pan and tilt.
3. Flight case: Wrap the fixture in plastic bags. Gripping the handle and then place it in the flight case along with all the accessories carefully. Close the cover lid. The wrap page are not allowed over 3 layers. Do not upside down.
4. Cardboard box: Wrap the fixture in plastic bags. Put it in the packaging foam along with all the accessories. Place the other set of packaging foam on top then put it carefully in the cardboard box.

4. Installation

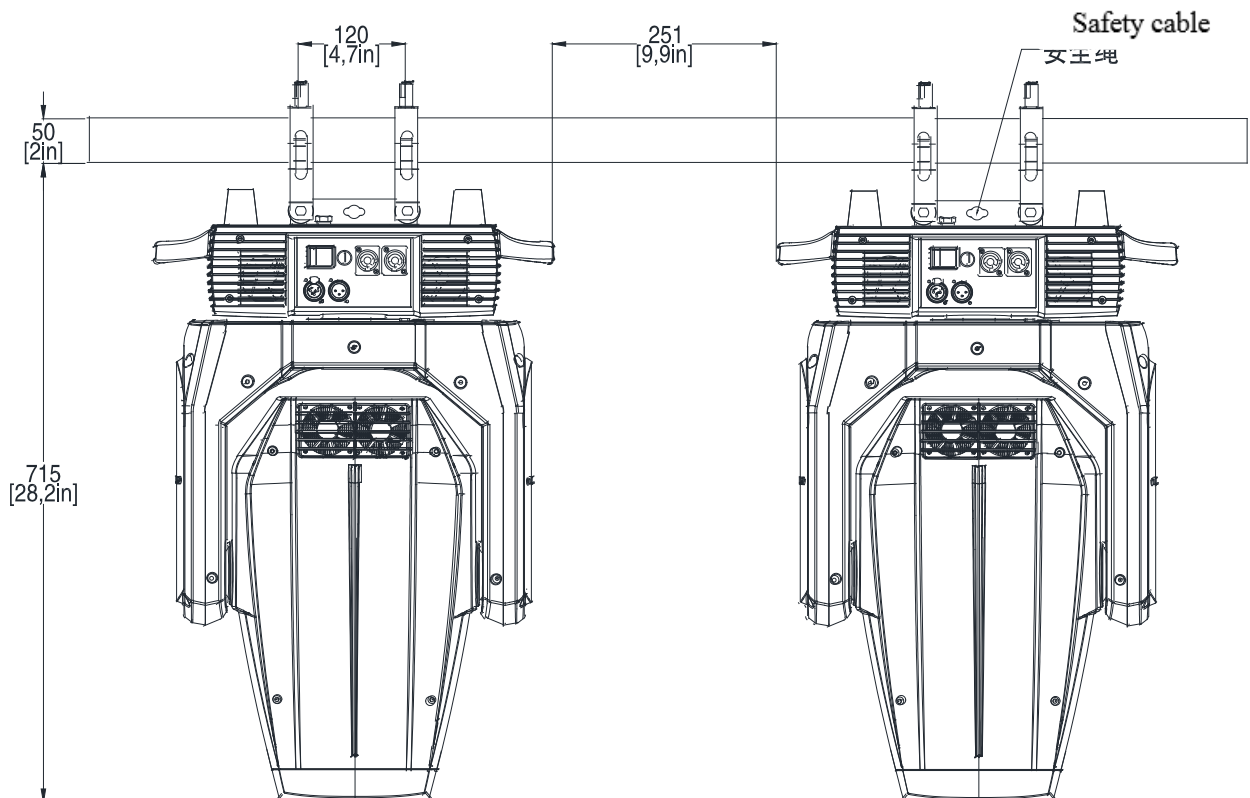
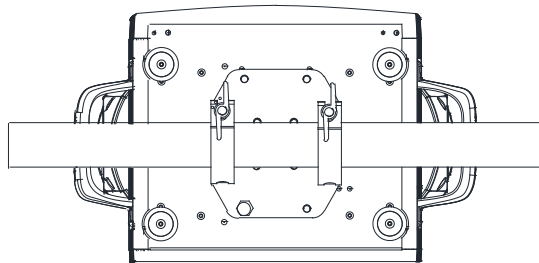
4.1 Clamps installation

The fixture can be placed on the stage or mounted on the truss which faces any direction. Attach the clamps to the mounting position on the base of the fixture.

Warning: Use two clamps when mounting the fixture. Turn the screws attached to each clamp a 1/4 turn clockwise to lock. Always remember to use the safety cable which goes through the mounting hole on the base. Do not attach the safety cable on the handle.

4.2 Device installation

1. Make sure there is no damage on the clamps or safety cables before installation.
2. The clamp is mounted on the chassis of the fixture. Horizontally insert the clamp into the mounting holes of the chassis. Fasten the clamp tightly by a 1/4 turn clockwise. Fix another clamp in the same way.
3. Check if pan is locked before connecting the unit to AC power.



5. Power/ Control connection

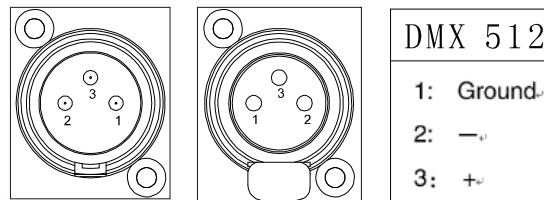
5.1 Power connection

Connection method:

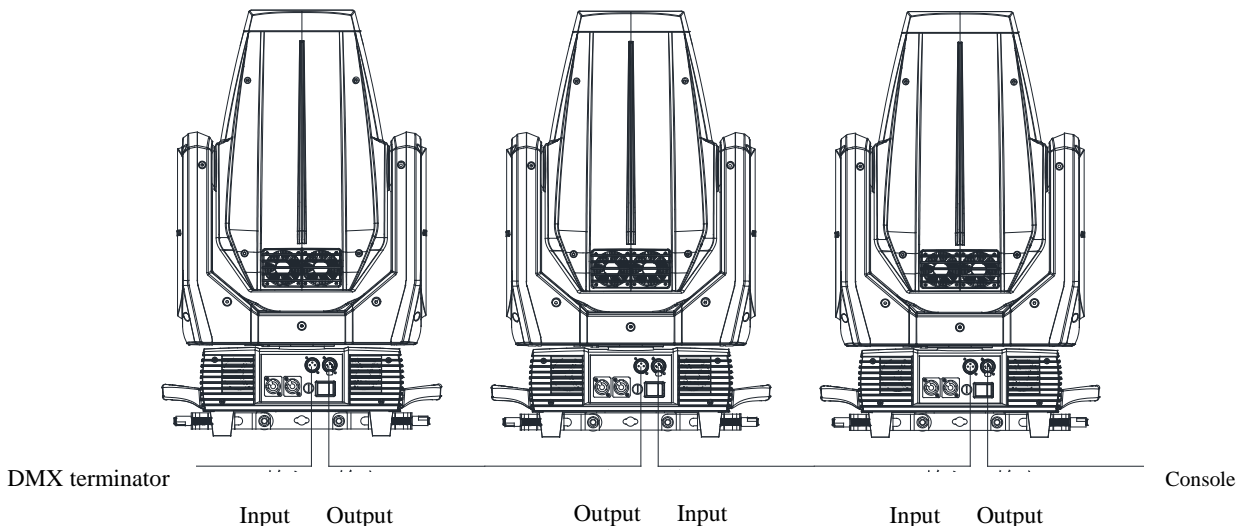
- L (Live) Brown wire
- E (Earth) Yellow / Green bi-color wire
- N (Neutral) Blue wire
- The voltage and frequency of the power source must be in compliance with the ones marked on the fixture. It is strongly recommended that each fixture are to be connected to the power source separately so that they can be switched on / off individually.

5.2 Control connection

The fixture has 3-pin XLR connectors for DMX data input and output as shown below. Connection between the console and fixture, and between fixtures must be made with 2 core screened DMX signal cable. Maximum connecting distance of signal cable is 150 meters. Additional DMX512 signal-amplifier is recommended for longer distance.



Connect the Console's DMX OUTPUT to the first fixture's DMX INPUT, then the first fixture's DMX OUTPUT to the second fixture's DMX INPUT and so on. It is recommended not to connect more than 32 units on a single DMX universe. On the last fixture's output connect a DMX terminator. (The terminator is a 3-pin XLR connector with a 1/2W and 120Ω resistor between the pin 2 and pin 3) as shown below:

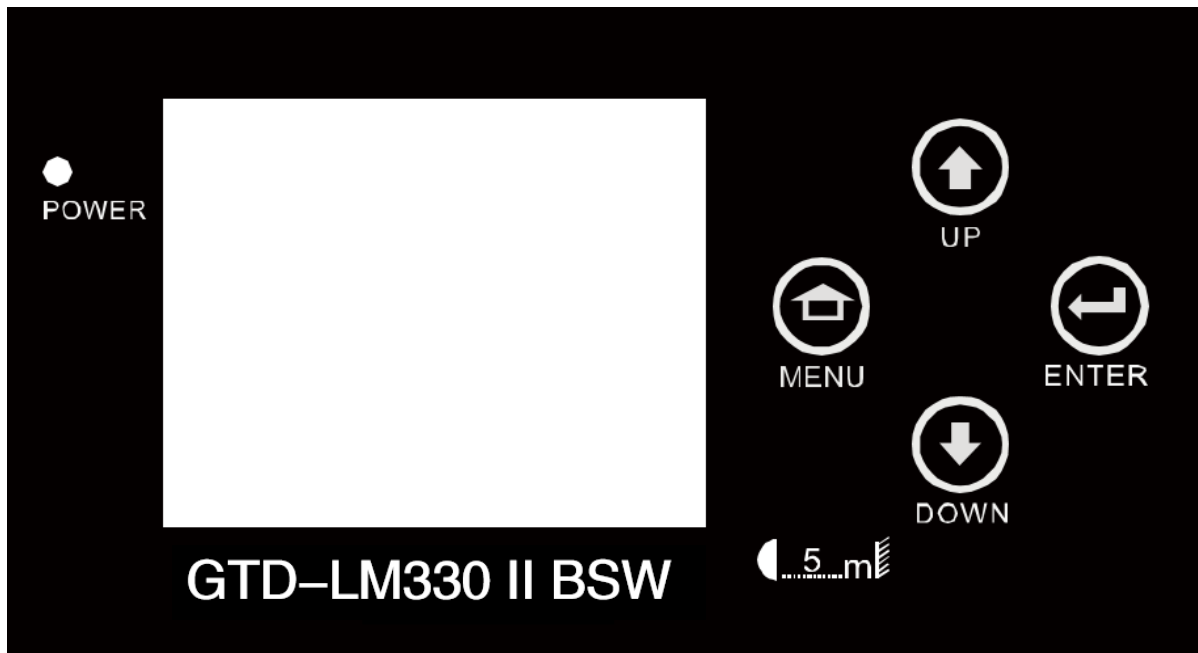


5.3 Testing

Connect the fixture to AC power. Check if the lamp is on and the fixture is independently controllable before putting into operation.

6. Control panel

6.1 Panel instruction



- The control panel features touch-sensitive buttons and LCD digital display for quick and easy setup of address code and functions menu.
- Press UP or DOWN to view or select the function menu.
- Press CENTER to choose a function and enter into corresponding submenu. Each menu represents a specific function of the fixture.
- Press RIGHT to select the specific function and save the changes or enter into the submenu, then press UP or DOWN to change the value of the selected function (increase or decrease).
- Press RIGHT to return to the previous menu or exit.

7. Technical specification

- **Optical**

Light source: LED 330W

Expected average lifetime: 20000 h

Color temperature correction: 2700K~6500K

Lumens: 16000lm

Zoom range: 4°~43.6°Linear high speed zoom, the spot is uniform and consistent in any range

CRI: $Ra \geq 70$ (optional ≥ 90)

Focus: with precision HD Glass lens, electronic linear focus clearly

Prism: 1 four-prism

Frost: 1-independent frost effect

- **Gobo**

Rotating gobo wheel: 1 interchangeable gobo rotator, 7 optional pattern pieces,

Fixed gobo wheel: 7 gobos + open, CW/CCW rotation, variable speed.

Gobo outside diameter: 23mm

Max. Image diameter: 16mm

Max Thickness: 1.1mm

Gobo material: Glass

- **Color**

Color wheel: 9 color gel and open gobo, linear adjustment function, “Rainbow effect” in both directions

CMY: The infinite color mixed,

CTO: color temperature adjust linearly

- **Electrical**

Power input, nominal: AC 100-240V 50/60Hz

Max. Power consumption: 512W

Max current: 4.8A, PF: 0.97

Power supply unit: wide range electronic SMPS

Main fuse: 6.3A

Power input: Self-contained power cord

DMX data input/output: Chassis 3-pin

Control and programming

Control channels (DMX): 23/20/30

Protocol: DMX-512 RDM

Display: LCD

- **Physical / Installation**

Weight: 22.6Kg (49.8lbs.)

IP rating: IP20

Material: Aluminum, copper, steel, plastic

Mounting points: fixed folding lamp hook + attachment points for safety wire

- **Dynamic effects**

Pan/Tilt movement: 540°/270°, adopting a function which resets 32bit accurately and automatically

Strobe: 1-25Hz, strobe randomly, pulse randomly, strobe synchronously and asynchronously

Dimmer: 0-100%, electronic linear dimming

- **Thermal**

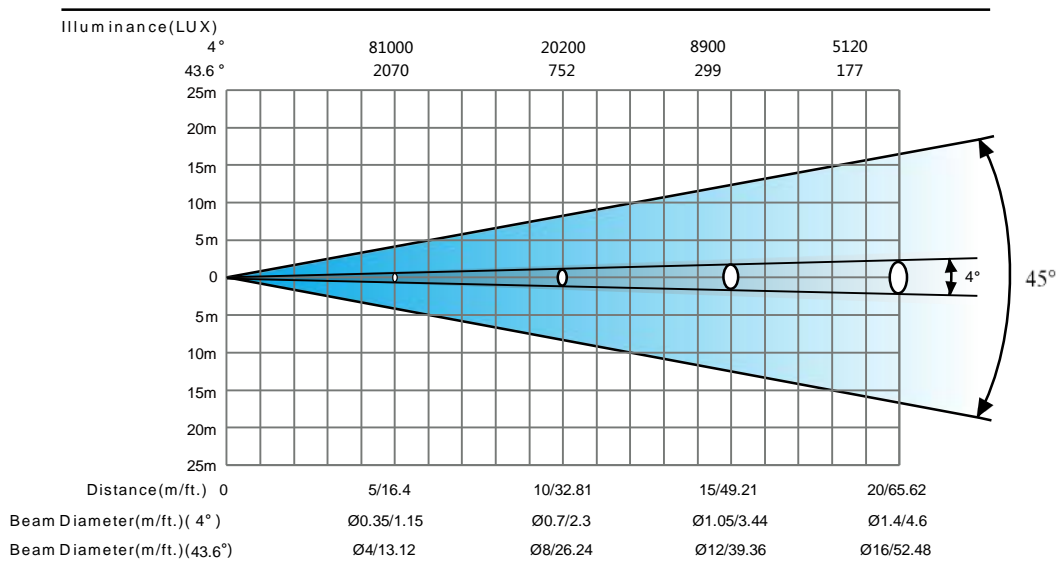
- Operating range: 5°F - 113°F (-15°C - 45°C)
- Startup range: -13°F - 113°F(-25°C - 45°C)
- Storage range: -40°F - 140°F(-40°C - 60°C)
- Cooling: Active fan
- Humidity: ≤85%

- **Certification and Safety**

EMC: EN 55103-1:2009, EN 55103-2:2009, EN 61000-3-2:2006+A2:2009, EN 61000-3-3:2013, GB/T 17743-2007, GB 17625.1-2012

Safety: EN 60598-2-17:1989/A2:1991, GB 7000.1-2015, GB 7000.217-200811

- **Photometric**



- **Other features**

- Enhanced stability of the fixture due to the wide input voltage AC/DC switching power supply which both reduces the impact of power and voltage fluctuations, and removes the restriction of voltage and frequency variations in different countries.
- Automatic energy saving: when the shutter or CMY is closed, power consumption will be reduced automatically with the photoelectric tracking induction technology.
- Sleep mode: uses the most advanced technology to activate sleep mode remotely. When the fixture is

disconnected from signal, the sleep mode is enabled automatically to make it more stable and safer. Sleep time can be customized.

- Power setting: built-in continuous rechargeable battery, allowing setting functional data via LCD interface without power connection.
- Communications Design: DMX wired/wireless transmission, bidirectional-control technology, upgrade the software quickly and conveniently by using DMX cable.
- Thermal design: The wind drainage and intelligent temperature monitoring technology can monitor lighting's state : on /off. It can adjust the thermal design by the position's temperature of lighting so that the temperature can be controlled.

8. Gobos and colors

8.1 Gobo specification

All patterns are made onto the metal gobos, and can be customized according to user's requirement.

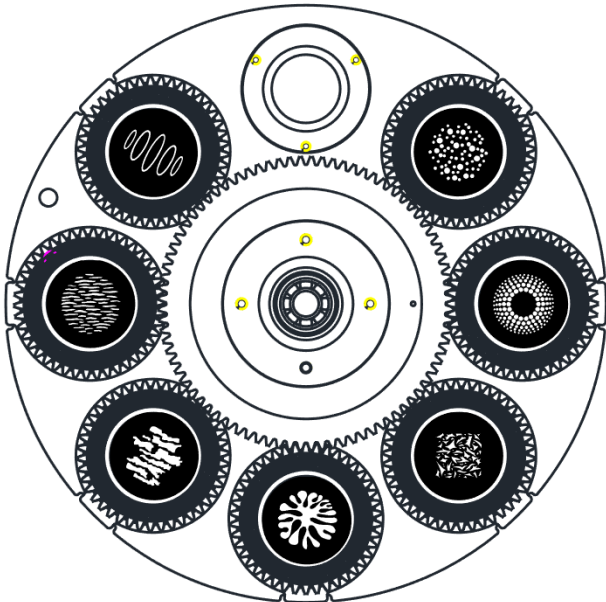
The customized size is as below:

| Gobo material | Outer dimension | Effective dimension | Thickness |
|----------------------|-----------------|---------------------|-----------|
| Glass gobo | Φ23mm | Φ16mm | 1.1mm |
| Gobo material: Glass | | | |

8.2 Gobos

One rotating gobo wheel: 7 interchangeable gobos + open, indexing, CW/CCW rotation, variable speed

One fixed gobo wheel: 7 gobos + open, CW/CCW rotation, variable speed.

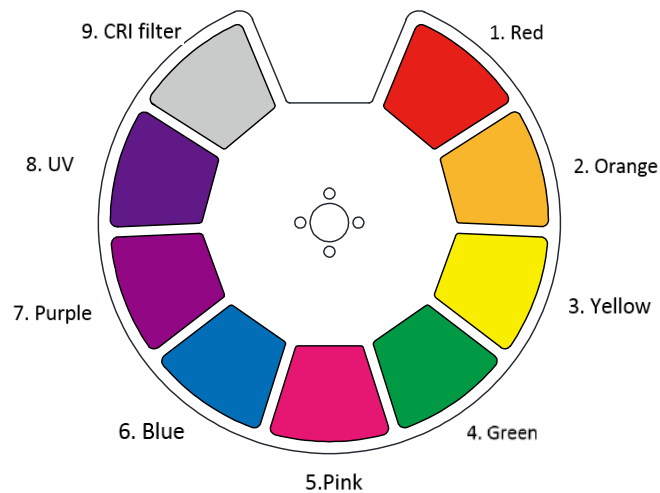


Rotating gobo wheel



Fixed gobo wheel

Color wheel: 9 colors + open, linear color conversion and "Half rainbow effect" in both direction.



9. Menu structure

| Level 1 | Level 2 | Level 3 | Level 4 | Info |
|-----------------------|--|--|--|---|
| Run setting | Address Setting Value Display Auto-Program | Address: 001~ XXX Pan, All, Off Master /Slave | | Setting the DMX address Display the channel value Run auto program in master or slave |
| Device Info | Time Info | Since power on Total Time Last Time Lamp On Time Lamp Off Time Last Time Code Clear Last Time Lamp Time Code Clear Lamp Time | XXXXXX Hour XXXXXX Hour XXXXXX Hour XXXXXX Hour XXXXXX Minute Password: XXX(88) Yes/No Password: XXX(111) Yes/No | Since power on time Product total run time Last product run time Lamp on time Lamp close time Clear last time password Clear last time Clear lamp time password Clear lamp time |
| | Temperature | Temperature1/2/3 | XXX 'C/'F | Body temperature |
| | Fans' Err | Ok/Err/No | | Show fans' status |
| | Err Inf | No/... | | Show this device's status |
| | Software Version | X.X RDM Code 0951-xxxxxx | | The software version RDM Code |
| System Setting | Status Setting | Console Set Addr No Signal Status Pan Reverse Tilt Reverse Pan Scan Degree Scan Feedback Scan Speed Standby Time | Enable/Disable Off/Hold/Auto/Music Enable/Disable Enable/Disable 360/540 Enable/Disable Quick/Middle/Low/Slow Disable/1~20~99 Min | Address can be changed by console The status while no signal Pan Reverse Tilt Reverse Pan Scan Degree Scan Feedback Change the scan speed Standby time |
| | Fan Speed | Smart Control High Speed Low Speed | | Auto fans speed Fans high speed Fans low speed |
| | Display Setting | Backlight Time Key Lock Lightness Language Screen auto | 1~80 Min/Disable Enable/Disable 15~100% 80% Chinese/English off/on/auto | Backlight off time Press <menu> 3s to unlock Back lightness of screen Change the language Screen change Setting |
| | Temperature Unit | Celsius Fahrenheit | | Temperature unit |
| | Value Default | Pan..... | Pan =XXX | The default value |

| | | | | |
|------------------------|---|--|---|--|
| | Wireless Dev | Wireless Off Wireless On Wireless Trans. Wireless Reset | | Wireless off Wireless on Wireless transfer DMX data to another Wireless reset |
| | Restore Default | Yes/No | | Restore to default value |
| | Select Device | - Password- XXX(99) | GTD LM330 II BSW GTD LM330 A BSW GTD LM330 B BSW | Select the model of the device |
| Reset | System Reset Scan Reset ColorReset Gobo Reset Other Reset | | | System reset Pan and tilt motor reset Color motor reset All gobo motor reset All other motor reset |
| Channel Adjust | Test Mode | Pan..... | | Every channel test |
| | Manual Mode | Pan : | Pan =XXX : | Manual control |
| | Adjust Mode | Input Password Pan : | Password=XXX(99) Pan=XXX : | The password of adjust mode Fixed all begin position |
| | Focus Mode | Input Password Pan : | Password=XXX(99) Pan=XXX : | The password of adjust mode Fixed all begin position |
| Channel Setting | Channel Mode | Standard Mode Simplified Mode Extended Mode Custom Mode 1 Custom Mode 2 Custom Mode 3 | | Standard channel mode Simplified channel mode Extended channel mode Custom channel mode 1 Custom channel mode 2 Custom channel mode 3 |
| | Set Custom Mode1 Set Custom Mode2 Set Custom Mode3 | Max Channel Pan : | Channel = XX Pan = CH01 : | Change the channel order |
| Program Edit | Select Prog. | Program Unit 1 Program Unit 2 Program Unit 3 | Program 1 ~10 Program 1 ~ 10 Program 1 ~ 10 | Choose build-in program for slave 1 Choose build-in program for slave 2 Choose build-in program for slave 3 |
| | Program Edit | Auto-Program1 : Auto-Program10 | Run Step 1=Scene xxx Step 8=Scene xxx | Choose the scene for program 1 : Choose the scene for program 10 |
| | Scene Edit | Scene Edit:001-250 | Pan,.....Pan=xxx Scene Time=xxx Input By Console | Edit the channel DMX Edit the scene time Get scene DMX form console |

| | | | | |
|--|--------------|--------------|--|---------------------------|
| | | | | |
| | Record Scene | Scene XX->XX | | Record scene form console |

***Settings highlighted in light grey are default values**

10. DMX Protocol

Standard

| DMX mode | Name | DMX value | | DMX percentage | | Function | Default DMX Value |
|-----------------|---------------------|-----------|-----|----------------|--------|---|-------------------|
| Extended (23ch) | | | | | | | |
| 1 | Strobe/Shutter | 0 | 31 | 0.0% | 12.2% | Closed | 0(0%) |
| | | 32 | 63 | 12.5% | 24.7% | Open | |
| | | 64 | 127 | 25.1% | 49.8% | Synchronous strobe from slow to fast | |
| | | 128 | 159 | 50.2% | 62.4% | Open | |
| | | 160 | 223 | 62.7% | 87.5% | Random strobe from slow to fast | |
| | | 224 | 255 | 87.8% | 100.0% | Open | |
| 2 | Intensity | 0 | 255 | 0.0% | 100.0% | No light → Full light | 0(0%) |
| 3 | Cyan | 0 | 255 | 0.0% | 100.0% | White → Full cyan | 0(0%) |
| 4 | Magenta | 0 | 255 | 0.0% | 100.0% | White → Full magenta | 0(0%) |
| 5 | Yellow | 0 | 255 | 0.0% | 100.0% | White → Full yellow | 0(0%) |
| 6 | CMY color macro | 0 | 15 | 0.0% | 5.9% | CMY color macro off | 0(0%) |
| | | 16 | 135 | 6.3% | 52.9% | CMY synchronous color from slow to fast | |
| | | 136 | 255 | 53.3% | 100.0% | CMY random color from slow to fast | |
| 7 | CTO | 0 | 255 | 0.0% | 100.0% | White → Full cyan | 0(0%) |
| 8 | Color wheel | 0 | 10 | 0.0% | 3.9% | Open | 0(0%) |
| | | 11 | 23 | 4.3% | 9.0% | Color 1 | |
| | | 24 | 36 | 9.4% | 14.1% | Color 2 | |
| | | 37 | 49 | 14.5% | 19.2% | Color 3 | |
| | | 50 | 62 | 19.6% | 24.3% | Color 4 | |
| | | 63 | 75 | 24.7% | 29.4% | Color 5 | |
| | | 76 | 88 | 29.8% | 34.5% | Color 6 | |
| | | 89 | 101 | 34.9% | 39.6% | Color 7 | |
| | | 102 | 114 | 40.0% | 44.7% | Color 8 | |
| | | 115 | 127 | 45.1% | 49.8% | Color 9 | |
| | | 128 | 187 | 50.2% | 73.3% | Color continuous rotation CW from slow to fast | |
| | | 188 | 195 | 73.7% | 76.5% | Stop | |
| | | 196 | 255 | 76.9% | 100.0% | Color continuous rotation CCW from slow to fast | |
| 9 | Gobo wheel (static) | 0 | 15 | 0.0% | 5.9% | Open | 0(0%) |
| | | 16 | 23 | 6.3% | 9.0% | Gobo 1 | |
| | | 24 | 31 | 9.4% | 12.2% | Gobo 2 | |

| DMX mode | Name | DMX value | | DMX percentage | | Function | Default DMX Value |
|-----------------|--|-----------|--------|---|--------|---|-------------------|
| Extended (23ch) | | | | | | | |
| 9 | Gobo wheel (static) | 32 | 39 | 12.5% | 15.3% | Gobo 3 | |
| | | 40 | 47 | 15.7% | 18.4% | Gobo 4 | |
| | | 48 | 55 | 18.8% | 21.6% | Gobo 5 | |
| | | 56 | 63 | 22.0% | 24.7% | Gobo 6 | |
| | | 64 | 71 | 25.1% | 27.8% | Gobo 7 | |
| | | 72 | 79 | 28.2% | 31.0% | Gobo 1 shake | |
| | | 80 | 87 | 31.4% | 34.1% | Gobo 2 shake | |
| | | 88 | 95 | 34.5% | 37.3% | Gobo 3 shake | |
| | | 96 | 103 | 37.6% | 40.4% | Gobo 4 shake | |
| | | 104 | 111 | 40.8% | 43.5% | Gobo 5 shake | |
| | | 112 | 119 | 43.9% | 46.7% | Gobo 6 shake | |
| | | 120 | 127 | 47.1% | 49.8% | Gobo 7 shake | |
| | | 128 | 187 | 50.2% | 73.3% | Gobo wheel continous rotation CW from slow to fast | |
| | | 188 | 195 | 73.7% | 76.5% | Stop | |
| | | 196 | 255 | 76.9% | 100.0% | Gobo wheel continous rotation CCW from slow to fast | |
| 10 | Rotating gobo wheel 1 | 0 | 15 | 0.0% | 5.9% | Open gobo | 0(0%) |
| | | 16 | 23 | 6.3% | 9.0% | Gobo 1 | |
| | | 24 | 31 | 9.4% | 12.2% | Gobo 2 | |
| | | 32 | 39 | 12.5% | 15.3% | Gobo 3 | |
| | | 40 | 47 | 15.7% | 18.4% | Gobo 4 | |
| | | 48 | 55 | 18.8% | 21.6% | Gobo 5 | |
| | | 56 | 63 | 22.0% | 24.7% | Gobo 6 | |
| | | 64 | 71 | 25.1% | 27.8% | Gobo 7 | |
| | | 72 | 79 | 28.2% | 31.0% | Gobo 1 shake | |
| | | 80 | 87 | 31.4% | 34.1% | Gobo 2 shake | |
| | | 88 | 95 | 34.5% | 37.3% | Gobo 3 shake | |
| | | 96 | 103 | 37.6% | 40.4% | Gobo 4 shake | |
| | | 104 | 111 | 40.8% | 43.5% | Gobo 5 shake | |
| | | 112 | 119 | 43.9% | 46.7% | Gobo 6 shake | |
| | | 120 | 127 | 47.1% | 49.8% | Gobo 7 shake | |
| 128 | 187 | 50.2% | 73.3% | Gobo wheel continous rotation CW from slow to fast | | | |
| 188 | 195 | 73.7% | 76.5% | Stop | | | |
| 196 | 255 | 76.9% | 100.0% | Gobo wheel continous rotation CCW from slow to fast | | | |
| 11 | Gobo rotating/positioning gobo wheel 1 | 0 | 127 | 0.0% | 49.8% | Gobo rotation/positioning | 0(0%) |
| | | 128 | 187 | 50.2% | 73.3% | Gobo continous rotation CCW from slow to fast | |

| DMX mode | Name | DMX value | | DMX percentage | | Function | Default DMX Value |
|-----------------|--|-----------|-------|-----------------------------------|--------|---|-------------------|
| Extended (23ch) | | | | | | | |
| 11 | Gobo rotating/positioning gobo wheel 1 | 188 | 195 | 73.7% | 76.5% | Stop | |
| | | 196 | 255 | 76.9% | 100.0% | Gobo continuous rotation CW from slow to fast | |
| 12 | | 0 | 255 | 0.0% | 100.0% | Gobo rotation/positioning, fine (LSB) | |
| 13 | Focus | 0 | 255 | 0.0% | 100.0% | Near è Far | 0(0%) |
| 14 | Zoom | 0 | 255 | 0.0% | 100.0% | Narrow è Wide | 0(0%) |
| 15 | Prism | 0 | 31 | 0.0% | 12.2% | Off | 0(0%) |
| | | 32 | 255 | 12.5% | 100.0% | On | |
| 16 | Prism rotation | 0 | 127 | 0.0% | 49.8% | Prism rotation/positioning | 0(0%) |
| | | 128 | 187 | 50.2% | 73.3% | Prism continuous rotation CW from slow to fast | |
| | | 188 | 195 | 73.7% | 76.5% | Stop | |
| | | 196 | 255 | 76.9% | 100.0% | Prism continuous rotation CCW from slow to fast | |
| 17 | Frost | 0 | 255 | 0.0% | 100.0% | Frost shallow to deep | 0(0%) |
| 18 | Pan | 0 | 255 | 0.0% | 100.0% | Pan | 0(0%) |
| 19 | | 0 | 255 | 0.0% | 100.0% | Pan, fine (LSB) | |
| 20 | Tilt | 0 | 255 | 0.0% | 100.0% | Tilt | 46(18.0%) |
| 21 | | 0 | 255 | 0.0% | 100.0% | Tilt, fine (LSB) | |
| 22 | Scan speed | 0 | 255 | 0.0% | 100.0% | Scan speed from slow to fast | 0(0%) |
| 23 | Special controls | 0 | 9 | 0.0% | 3.5% | No function | 0(0%) |
| | | 10 | 19 | 3.9% | 7.5% | No function | |
| | | 20 | 29 | 7.8% | 11.4% | No function | |
| | | 30 | 39 | 11.8% | 15.3% | Color wheel half color switch | |
| | | 40 | 49 | 15.7% | 19.2% | Color wheel random positioning | |
| | | 50 | 59 | 19.6% | 23.1% | No function | |
| | | 60 | 69 | 23.5% | 27.1% | Reset all motor after 5 seconds | |
| | | 70 | 79 | 27.5% | 31.0% | Scan motor reset after 5 seconds | |
| | | 80 | 89 | 31.4% | 34.9% | All color motor reset after 5 seconds | |
| | | 90 | 99 | 35.3% | 38.8% | All gobo motor reset after 5 seconds | |
| 100 | 119 | 39.2% | 46.7% | Other motor reset after 5 seconds | | | |
| 120 | 129 | 47.1% | 50.6% | Built-in program 1 | | | |
| 130 | 139 | 51.0% | 54.5% | Built-in program 2 | | | |

| DMX mode | Name | DMX value | | DMX percentage | | Function | Default DMX Value |
|-----------------|------------------|-----------|-----|----------------|--------|---------------------|-------------------|
| Extended (23ch) | | | | | | | |
| 23 | Special controls | 140 | 149 | 54.9% | 58.4% | Built-in program 3 | |
| | | 150 | 159 | 58.8% | 62.4% | Built-in program 4 | |
| | | 160 | 169 | 62.7% | 66.3% | Built-in program 5 | |
| | | 170 | 179 | 66.7% | 70.2% | Built-in program 6 | |
| | | 180 | 189 | 70.6% | 74.1% | Built-in program 7 | |
| | | 190 | 199 | 74.5% | 78.0% | Built-in program 8 | |
| | | 200 | 209 | 78.4% | 82.0% | Built-in program 9 | |
| | | 210 | 219 | 82.4% | 85.9% | Built-in program 10 | |
| | | 220 | 255 | 86.3% | 100.0% | Reserved | |

Basic

| DMX mode | Name | DMX value | | DMX percentage | | Function | Default DMX Value |
|-----------------|----------------------|-----------|-----|----------------|--------|---|-------------------|
| Extended (20ch) | | | | | | | |
| 1 | Strobe/Shutter | 0 | 31 | 0.0% | 12.2% | Closed | 0(0%) |
| | | 32 | 63 | 12.5% | 24.7% | Open | |
| | | 64 | 127 | 25.1% | 49.8% | Synchronous strobe from slow to fast | |
| | | 128 | 159 | 50.2% | 62.4% | Open | |
| | | 160 | 223 | 62.7% | 87.5% | Random strobe from slow to fast | |
| | | 224 | 255 | 87.8% | 100.0% | Open | |
| 2 | Intensity | 0 | 255 | 0.0% | 100.0% | No light → Full light | 0(0%) |
| 3 | Cyan | 0 | 255 | 0.0% | 100.0% | White → Full cyan | 0(0%) |
| 4 | Magenta | 0 | 255 | 0.0% | 100.0% | White → Full magenta | 0(0%) |
| 5 | Yellow | 0 | 255 | 0.0% | 100.0% | White → Full yellow | 0(0%) |
| 6 | CMY color macro | 0 | 15 | 0.0% | 5.9% | CMY color macro off | 0(0%) |
| | | 16 | 135 | 6.3% | 52.9% | CMY synchronous color from slow to fast | |
| | | 136 | 255 | 53.3% | 100.0% | CMY random color from slow to fast | |
| 7 | CTO | 0 | 255 | 0.0% | 100.0% | White → Full cyan | 0(0%) |
| 8 | Color wheel | 0 | 10 | 0.0% | 3.9% | Open | 0(0%) |
| | | 11 | 23 | 4.3% | 9.0% | Color 1 | |
| | | 24 | 36 | 9.4% | 14.1% | Color 2 | |
| | | 37 | 49 | 14.5% | 19.2% | Color 3 | |
| | | 50 | 62 | 19.6% | 24.3% | Color 4 | |
| | | 63 | 75 | 24.7% | 29.4% | Color 5 | |
| | | 76 | 88 | 29.8% | 34.5% | Color 6 | |
| | | 89 | 101 | 34.9% | 39.6% | Color 7 | |
| | | 102 | 114 | 40.0% | 44.7% | Color 8 | |
| | | 115 | 127 | 45.1% | 49.8% | Color 9 | |
| | | 128 | 187 | 50.2% | 73.3% | Color continuous rotation CW from slow to fast | |
| | | 188 | 195 | 73.7% | 76.5% | Stop | |
| | | 196 | 255 | 76.9% | 100.0% | Color continuous rotation CCW from slow to fast | |
| 9 | Color wheel (static) | 0 | 15 | 0.0% | 5.9% | Open | 0(0%) |
| | | 16 | 23 | 6.3% | 9.0% | Gobo 1 | |
| | | 24 | 31 | 9.4% | 12.2% | Gobo 2 | |
| | | 32 | 39 | 12.5% | 15.3% | Gobo 3 | |
| | | 40 | 47 | 15.7% | 18.4% | Gobo 4 | |
| | | 48 | 55 | 18.8% | 21.6% | Gobo 5 | |

| DMX mode | Name | DMX value | | DMX percentage | | Function | Default DMX Value |
|-----------------|--|-----------|-----------------------|---|--------|---|-------------------|
| Extended (20ch) | | | | | | | |
| 9 | Color wheel (static) | 56 | 63 | 22.0% | 24.7% | Gobo 6 | |
| | | 64 | 71 | 25.1% | 27.8% | Gobo 7 | |
| | | 72 | 79 | 28.2% | 31.0% | Gobo 1 shake | |
| | | 80 | 87 | 31.4% | 34.1% | Gobo 2 shake | |
| | | 88 | 95 | 34.5% | 37.3% | Gobo 3 shake | |
| | | 96 | 103 | 37.6% | 40.4% | Gobo 4 shake | |
| | | 104 | 111 | 40.8% | 43.5% | Gobo 5 shake | |
| | | 112 | 119 | 43.9% | 46.7% | Gobo 6 shake | |
| | | 120 | 127 | 47.1% | 49.8% | Gobo 7 shake | |
| | | 128 | 187 | 50.2% | 73.3% | Gobo wheel continous rotation CW from slow to fast | |
| | | 188 | 195 | 73.7% | 76.5% | Stop | |
| | | 196 | 255 | 76.9% | 100.0% | Gobo wheel continous rotation CCW from slow to fast | |
| | | 10 | Rotating gobo wheel 1 | 0 | 15 | 0.0% | |
| 16 | 23 | | | 6.3% | 9.0% | Gobo 1 | |
| 24 | 31 | | | 9.4% | 12.2% | Gobo 2 | |
| 32 | 39 | | | 12.5% | 15.3% | Gobo 3 | |
| 40 | 47 | | | 15.7% | 18.4% | Gobo 4 | |
| 48 | 55 | | | 18.8% | 21.6% | Gobo 5 | |
| 56 | 63 | | | 22.0% | 24.7% | Gobo 6 | |
| 64 | 71 | | | 25.1% | 27.8% | Gobo 7 | |
| 72 | 79 | | | 28.2% | 31.0% | Gobo 1 shake | |
| 80 | 87 | | | 31.4% | 34.1% | Gobo 2 shake | |
| 88 | 95 | | | 34.5% | 37.3% | Gobo 3 shake | |
| 96 | 103 | | | 37.6% | 40.4% | Gobo 4 shake | |
| 104 | 111 | | | 40.8% | 43.5% | Gobo 5 shake | |
| 112 | 119 | | | 43.9% | 46.7% | Gobo 6 shake | |
| 120 | 127 | | | 47.1% | 49.8% | Gobo 7 shake | |
| 128 | 187 | | | 50.2% | 73.3% | Gobo wheel continous rotation CW from slow to fast | |
| 188 | 195 | | | 73.7% | 76.5% | Stop | |
| 196 | 255 | 76.9% | 100.0% | Gobo wheel continous rotation CCW from slow to fast | | | |
| 11 | Gobo rotating/positioning gobo wheel 1 | 0 | 127 | 0.0% | 49.8% | Gobo rotation/positioning | 0(0%) |
| | | 128 | 187 | 50.2% | 73.3% | Gobo continous rotation CCW from slow to fast | |
| | | 188 | 195 | 73.7% | 76.5% | Stop | |
| | | 196 | 255 | 76.9% | 100.0% | Gobo continous rotation CW from slow to fast | |

| DMX mode | Name | DMX value | | DMX percentage | | Function | Default DMX Value |
|-----------------|------------------|-----------|--------|---------------------|--------|---|-------------------|
| Extended (20ch) | | | | | | | |
| 12 | Focus | 0 | 255 | 0.0% | 100.0% | Near è Far | 0(0%) |
| 13 | Zoom | 0 | 255 | 0.0% | 100.0% | Narrow è Wide | 0(0%) |
| 14 | Prism | 0 | 31 | 0.0% | 12.2% | Off | 0(0%) |
| | | 32 | 255 | 12.5% | 100.0% | On | |
| 15 | Prism rotation | 0 | 127 | 0.0% | 49.8% | Prism rotation/positioning | 0(0%) |
| | | 128 | 187 | 50.2% | 73.3% | Prism continuous rotation CW from slow to fast | |
| | | 188 | 195 | 73.7% | 76.5% | Stop | |
| | | 196 | 255 | 76.9% | 100.0% | Prism continuous rotation CCW from slow to fast | |
| 16 | Frost | 0 | 255 | 0.0% | 100.0% | Frost shallow to deep | 0(0%) |
| 17 | Pan | 0 | 255 | 0.0% | 100.0% | Pan | 0(0%) |
| 18 | Tilt | 0 | 255 | 0.0% | 100.0% | Tilt | 46(18.0%) |
| 19 | Scan speed | 0 | 255 | 0.0% | 100.0% | Scan speed from slow to fast | 0(0%) |
| 20 | Special controls | 0 | 9 | 0.0% | 3.5% | No function | 0(0%) |
| | | 10 | 19 | 3.9% | 7.5% | No function | |
| | | 20 | 29 | 7.8% | 11.4% | No function | |
| | | 30 | 39 | 11.8% | 15.3% | Color wheel half color switch | |
| | | 40 | 49 | 15.7% | 19.2% | Color wheel random positioning | |
| | | 50 | 59 | 19.6% | 23.1% | Blade motor reset after 5 seconds | |
| | | 60 | 69 | 23.5% | 27.1% | Reset all motor after 5 seconds | |
| | | 70 | 79 | 27.5% | 31.0% | Scan motor reset after 5 seconds | |
| | | 80 | 89 | 31.4% | 34.9% | All color motor reset after 5 seconds | |
| | | 90 | 99 | 35.3% | 38.8% | All gobo motor reset after 5 seconds | |
| | | 100 | 119 | 39.2% | 46.7% | Other motor reset after 5 seconds | |
| | | 120 | 129 | 47.1% | 50.6% | Built-in program 1 | |
| | | 130 | 139 | 51.0% | 54.5% | Built-in program 2 | |
| | | 140 | 149 | 54.9% | 58.4% | Built-in program 3 | |
| | | 150 | 159 | 58.8% | 62.4% | Built-in program 4 | |
| | | 160 | 169 | 62.7% | 66.3% | Built-in program 5 | |
| | | 170 | 179 | 66.7% | 70.2% | Built-in program 6 | |
| 180 | 189 | 70.6% | 74.1% | Built-in program 7 | | | |
| 190 | 199 | 74.5% | 78.0% | Built-in program 8 | | | |
| 200 | 209 | 78.4% | 82.0% | Built-in program 9 | | | |
| 210 | 219 | 82.4% | 85.9% | Built-in program 10 | | | |
| 220 | 255 | 86.3% | 100.0% | Reserved | | | |

Extended

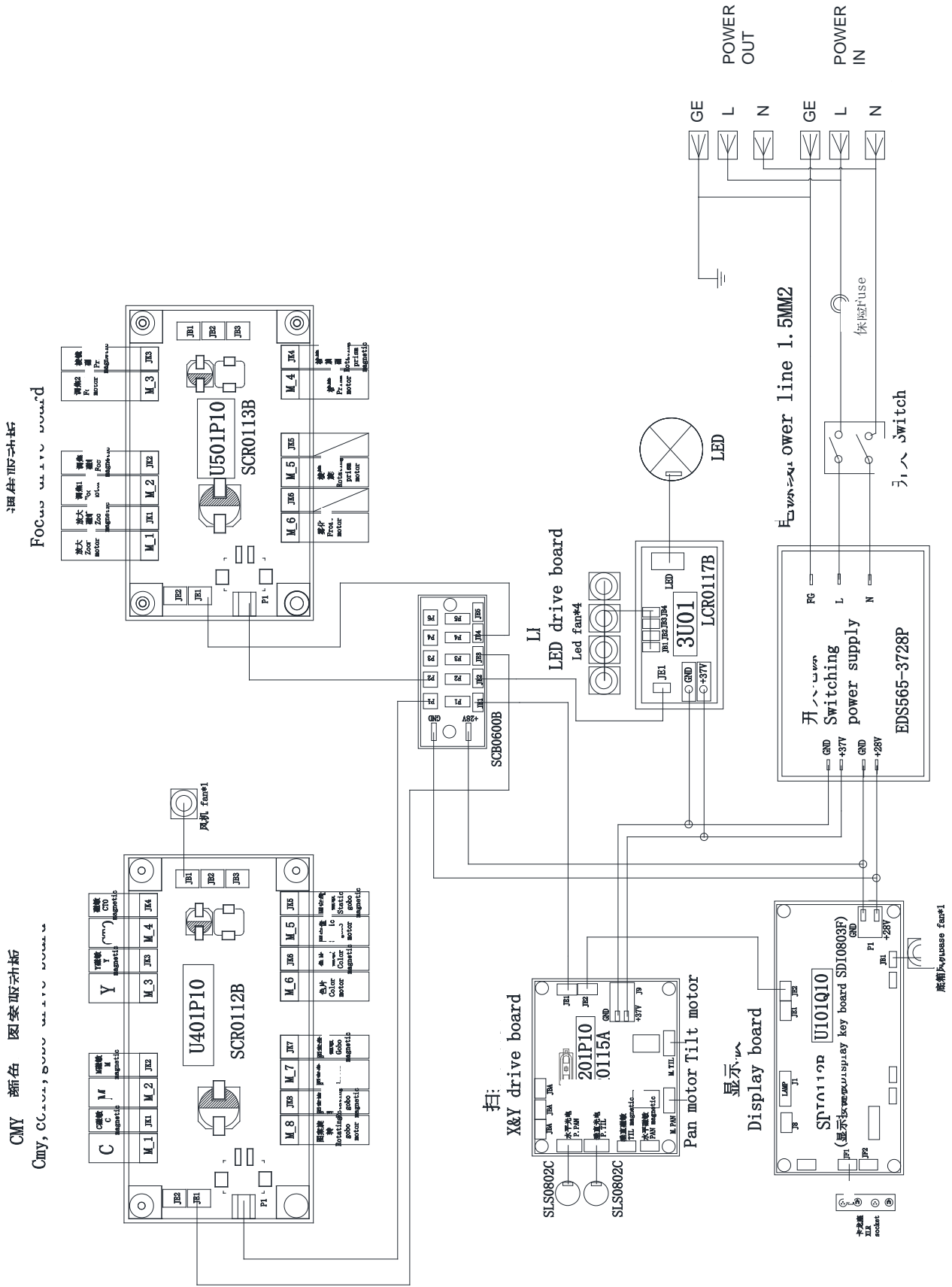
| DMX mode | Name | DMX value | | DMX percentage | | Function |
|-----------------|---------------------|-----------|-----|----------------|--------|---|
| Extended (30ch) | | | | | | |
| 1 | Strobe/Shutter | 0 | 31 | 0.0% | 12.2% | Closed |
| | | 32 | 63 | 12.5% | 24.7% | Open |
| | | 64 | 127 | 25.1% | 49.8% | Synchronous strobe from slow to fast |
| | | 128 | 159 | 50.2% | 62.4% | Open |
| | | 160 | 223 | 62.7% | 87.5% | Random strobe from slow to fast |
| | | 224 | 255 | 87.8% | 100.0% | Open |
| 2 | Intensity | 0 | 255 | 0.0% | 100.0% | No light → Full light |
| 3 | | 0 | 255 | 0.0% | 100.0% | Intensity fade, fine (LSB) |
| 4 | Cyan | 0 | 255 | 0.0% | 100.0% | White → Full cyan |
| 5 | | 0 | 255 | 0.0% | 100.0% | Cyan fade, fine (LSB) |
| 6 | Magenta | 0 | 255 | 0.0% | 100.0% | White → Full magenta |
| 7 | | 0 | 255 | 0.0% | 100.0% | Magenta fade, fine (LSB) |
| 8 | Yellow | 0 | 255 | 0.0% | 100.0% | White → Full yellow |
| 9 | | 0 | 255 | 0.0% | 100.0% | Yellow fade, fine (LSB) |
| 10 | CMY color macro | 0 | 15 | 0.0% | 5.9% | CMY color macro off |
| | | 16 | 135 | 6.3% | 52.9% | CMY synchronous color from slow to fast |
| | | 136 | 255 | 53.3% | 100.0% | CMY random color from slow to fast |
| 11 | CTO | 0 | 255 | 0.0% | 100.0% | White → Full cyan |
| 12 | | 0 | 255 | 0.0% | 100.0% | CTO fade, fine (LSB) |
| 13 | Color wheel | 0 | 10 | 0.0% | 3.9% | Open |
| | | 11 | 23 | 4.3% | 9.0% | Color 1 |
| | | 24 | 36 | 9.4% | 14.1% | Color 2 |
| | | 37 | 49 | 14.5% | 19.2% | Color 3 |
| | | 50 | 62 | 19.6% | 24.3% | Color 4 |
| | | 63 | 75 | 24.7% | 29.4% | Color 5 |
| | | 76 | 88 | 29.8% | 34.5% | Color 6 |
| | | 89 | 101 | 34.9% | 39.6% | Color 7 |
| | | 102 | 114 | 40.0% | 44.7% | Color 8 |
| | | 115 | 127 | 45.1% | 49.8% | Color 9 |
| | | 128 | 187 | 50.2% | 73.3% | Color continuous rotation CW from slow to fast |
| | | 188 | 195 | 73.7% | 76.5% | Stop |
| | | 196 | 255 | 76.9% | 100.0% | Color continuous rotation CCW from slow to fast |
| 14 | Gobo wheel (static) | 0 | 15 | 0.0% | 5.9% | Open |
| | | 16 | 23 | 6.3% | 9.0% | Gobo 1 |

| DMX mode | Name | DMX value | | DMX percentage | | Function |
|-----------------|-----------------------|-----------|--------|---|--------|---|
| Extended (30ch) | | | | | | |
| 14 | Gobo wheel (static) | 24 | 31 | 9.4% | 12.2% | Gobo 2 |
| | | 32 | 39 | 12.5% | 15.3% | Gobo 3 |
| | | 40 | 47 | 15.7% | 18.4% | Gobo 4 |
| | | 48 | 55 | 18.8% | 21.6% | Gobo 5 |
| | | 56 | 63 | 22.0% | 24.7% | Gobo 6 |
| | | 64 | 71 | 25.1% | 27.8% | Gobo 7 |
| | | 72 | 79 | 28.2% | 31.0% | Gobo 1 shake |
| | | 80 | 87 | 31.4% | 34.1% | Gobo 2 shake |
| | | 88 | 95 | 34.5% | 37.3% | Gobo 3 shake |
| | | 96 | 103 | 37.6% | 40.4% | Gobo 4 shake |
| | | 104 | 111 | 40.8% | 43.5% | Gobo 5 shake |
| | | 112 | 119 | 43.9% | 46.7% | Gobo 6 shake |
| | | 120 | 127 | 47.1% | 49.8% | Gobo 7 shake |
| | | 128 | 187 | 50.2% | 73.3% | Gobo wheel continous rotation CW from slow to fast |
| | | 188 | 195 | 73.7% | 76.5% | Stop |
| | | 196 | 255 | 76.9% | 100.0% | Gobo wheel continous rotation CCW from slow to fast |
| 15 | Rotating gobo wheel 1 | 0 | 15 | 0.0% | 5.9% | Open gobo |
| | | 16 | 23 | 6.3% | 9.0% | Gobo 1 |
| | | 24 | 31 | 9.4% | 12.2% | Gobo 2 |
| | | 32 | 39 | 12.5% | 15.3% | Gobo 3 |
| | | 40 | 47 | 15.7% | 18.4% | Gobo 4 |
| | | 48 | 55 | 18.8% | 21.6% | Gobo 5 |
| | | 56 | 63 | 22.0% | 24.7% | Gobo 6 |
| | | 64 | 71 | 25.1% | 27.8% | Gobo 7 |
| | | 72 | 79 | 28.2% | 31.0% | Gobo 1 shake |
| | | 80 | 87 | 31.4% | 34.1% | Gobo 2 shake |
| | | 88 | 95 | 34.5% | 37.3% | Gobo 3 shake |
| | | 96 | 103 | 37.6% | 40.4% | Gobo 4 shake |
| | | 104 | 111 | 40.8% | 43.5% | Gobo 5 shake |
| | | 112 | 119 | 43.9% | 46.7% | Gobo 6 shake |
| | | 120 | 127 | 47.1% | 49.8% | Gobo 7 shake |
| | | 128 | 187 | 50.2% | 73.3% | Gobo wheel continous rotation CW from slow to fast |
| 188 | 195 | 73.7% | 76.5% | Stop | | |
| 196 | 255 | 76.9% | 100.0% | Gobo wheel continous rotation CCW from slow to fast | | |
| 16 | | 0 | 127 | 0.0% | 49.8% | Gobo rotation/positioning |

| DMX mode | Name | DMX value | | DMX percentage | | Function |
|-----------------|--|-----------|-------|--------------------|--------|---|
| Extended (30ch) | | | | | | |
| 17 | Gobo rotating/positioning gobo wheel 1 | 128 | 187 | 50.2% | 73.3% | Gobo continuous rotation CCW from slow to fast |
| | | 188 | 195 | 73.7% | 76.5% | Stop |
| | | 196 | 255 | 76.9% | 100.0% | Gobo continuous rotation CW from slow to fast |
| | | 0 | 255 | 0.0% | 100.0% | Gobo rotation/positioning, fine (LSB) |
| 18 | Focus | 0 | 255 | 0.0% | 100.0% | Near è Far |
| 19 | | 0 | 255 | 0.0% | 100.0% | Focus, fine (LSB) |
| 20 | Zoom | 0 | 255 | 0.0% | 100.0% | Narrow è Wide |
| 21 | | 0 | 255 | 0.0% | 100.0% | Zoom, fine (LSB) |
| 22 | Prism | 0 | 31 | 0.0% | 12.2% | Off |
| | | 32 | 255 | 12.5% | 100.0% | On |
| 23 | Prism rotation | 0 | 127 | 0.0% | 49.8% | Prism rotation/positioning |
| | | 128 | 187 | 50.2% | 73.3% | Prism continuous rotation CW from slow to fast |
| | | 188 | 195 | 73.7% | 76.5% | Stop |
| | | 196 | 255 | 76.9% | 100.0% | Prism continuous rotation CCW from slow to fast |
| 24 | Frost | 0 | 255 | 0.0% | 100.0% | Frost shallow to deep |
| 25 | Pan | 0 | 255 | 0.0% | 100.0% | Pan |
| 26 | | 0 | 255 | 0.0% | 100.0% | Pan, fine (LSB) |
| 27 | Tilt | 0 | 255 | 0.0% | 100.0% | Tilt |
| 28 | | 0 | 255 | 0.0% | 100.0% | Tilt, fine (LSB) |
| 29 | Scan speed | 0 | 255 | 0.0% | 100.0% | Scan speed from slow to fast |
| 30 | Special controls | 0 | 9 | 0.0% | 3.5% | No function |
| | | 10 | 19 | 3.9% | 7.5% | No function |
| | | 20 | 29 | 7.8% | 11.4% | No function |
| | | 30 | 39 | 11.8% | 15.3% | Color wheel half color switch |
| | | 40 | 49 | 15.7% | 19.2% | Color wheel random positioning |
| | | 50 | 59 | 19.6% | 23.1% | Blade motor reset after 5 seconds |
| | | 60 | 69 | 23.5% | 27.1% | Reset all motor after 5 seconds |
| | | 70 | 79 | 27.5% | 31.0% | Scan motor reset after 5 seconds |
| | | 80 | 89 | 31.4% | 34.9% | All color motor reset after 5 seconds |
| | | 90 | 99 | 35.3% | 38.8% | All gobo motor reset after 5 seconds |
| | | 100 | 119 | 39.2% | 46.7% | Other motor reset after 5 seconds |
| | | 120 | 129 | 47.1% | 50.6% | Built-in program 1 |
| | | 130 | 139 | 51.0% | 54.5% | Built-in program 2 |
| | | 140 | 149 | 54.9% | 58.4% | Built-in program 3 |
| 150 | 159 | 58.8% | 62.4% | Built-in program 4 | | |

| DMX mode | Name | DMX value | | DMX percentage | | Function |
|-----------------|------------------|-----------|-----|----------------|--------|---------------------|
| Extended (30ch) | | | | | | |
| 30 | Special controls | 160 | 169 | 62.7% | 66.3% | Built-in program 5 |
| | | 170 | 179 | 66.7% | 70.2% | Built-in program 6 |
| | | 180 | 189 | 70.6% | 74.1% | Built-in program 7 |
| | | 190 | 199 | 74.5% | 78.0% | Built-in program 8 |
| | | 200 | 209 | 78.4% | 82.0% | Built-in program 9 |
| | | 210 | 219 | 82.4% | 85.9% | Built-in program 10 |
| | | 220 | 255 | 86.3% | 100.0% | Reserved |


11. System wiring diagram




12. Maintenance and Troubleshooting

12.1 Cleaning and maintenance

It is required that the fixture should be kept clean and well maintained to ensure its reliability. Its lifespan mainly depends on the working environment and proper operation. Should you have any questions, please consult a technical engineer of GTD Lighting.

 Notes: Damage resulted from dust, smoke, oil or improper use is not covered by warranty.

 Notes: Disconnect the fixture from AC power, and let it cool down for at least 15 minutes before opening the housing. Make sure to use a soft cloth to clean the optical components, and be careful, as the coating is easily scratched. Do not use any organic solvent such as alcohol to clean the reflector mirror, dichroic color filters or housing of the fixture.

- If the lens is cracked or otherwise damaged, replace it immediately.
- If the lamp becomes damaged or deformed in any way it must be replaced.
- If the light from the lamp appears dim, this normally indicates that it is reaching the end of its life span and should be changed at once. Aged lamps run to the extremity of their life might explode.
- If fixture does not function, check the fuse on the power socket of the fixture. Replace the fuse of the same specification if it is blown.
- The fixture is equipped with thermal-protection device that will switch off the lamp in case of overheating. If this happens, please check that the fans are not blocked, and clean them if they are dirty. Check whether the fans are operational. If not, call a qualified technician.

12.2 Troubleshooting

| Problem | Possible Cause | Suggested Correction |
|---|--|---|
| No response after connected to A/C power | Power switch not turned on. | Turn on power switch. |
| | Take out the fuse and check if it is blown. | Locate the blown fuse. Remove the broken fuse. Insert areplacement fuse of the correct amperage |
| | Abnormal A/C input (A/C power socket, power cables, luminaire power socket). | Replace AC power socket and power cables, and then adjust power socket for proper connection. |
| | No DC voltage from switching power supply. | Check if the switching power supply has DC voltage output. Replace the switching power supply. |
| No response or wrong response to the commands of the control system | DMX cables disconnected from fixture's DATA IN connector. | Connect DMX cable to the fixture's DATA IN connector. |
| | Open circuit or short circuit fault in the DMX cables. | Replace DMX cables as required. |
| | Wrong DMX address for the fixture in the | Ensure the address in "Run setting > Address |

| Problem | Possible Cause | Suggested Correction |
|--|---|---|
| | control system. | Setting ">Address" of the fixture is consistent with the address in the control system. |
| | Misuse in "Channel setting > Channel Mode of the fixture. | Choose the channel mode in "Channel setting > Channel Mode" of the fixture as required by the user |
| | Malfunctioning of DMX cannon input/output connectors. No input/output voltage to the main control board of the fixture. | Troubleshooting the DMX XLR signal plate of the fixture,replace the main control board of the fixture. |
| The lamp does not start when switch is turned on | Normal end of lamp life. | Test the lamp in an adjacent fixture which is known to be operating properly and then replace as necessary |
| | Whether the function of the relay board is intact, whether the signal is normal or not. | Repair or replace. |
| | Shorted leads between ballast and the lamp | Replace components as required. |
| | Incorrect ballast output. | Check ballast output to determine if it conforms to lamp requirements. If voltage and current do not stabilize in five to ten minutes warm-up time, ballast output is incorrect and adjustment should be made. Check capacitor wiring, if visibly available, to determine if capacitors are properly wired. |
| | Incorrect triggers output. | Replace triggers. |
| The lamp is off unexpected | The fixture is in sleep mode | Should the fixture is not in active use for "standby time", the sleep mode is enabled automatically to make it more stable and safer, sleep time can be customized. |
| | Lamp has been operating: cool down time insufficient. | Environmental conditions such as extreme temperatures will have the fixture stop working, the lamps will require a period of time to cool and re-establish optimum starting conditions. Restart time varies with the degree of ventilation built into it, ambient temperature, and draft conditions. |
| | Overheat ballast resulting in premature failure or damaged ballast. | The ballast incorporate internal automatic-resetting thermal protection, which deactivates the ballast should it overheat. Normal operation |

| Problem | Possible Cause | Suggested Correction |
|--|---|--|
| | | resumes once the ballast has cooled sufficiently. Burned-out or failing lamps, or high temperatures in or around the fixture, can cause the ballast to overheat, so we need solve the problem and replace components as required |
| | Thermostat damaged. | Replace. |
| Shaking, wrong position, and out of control gobo wheel | No function the connector between gobo wheel motor and drive, loose, damaged, or broken cables connecting the gobo wheel and drive. | Reconnect the gobo wheel motor to the drive, and replace cables as required. |
| | The gobo wheel motor's drive IC on the PCB might be out of condition. | Replace the drive having the same software version as required. |
| | Dislocated magnetic tube and positioning magnet, or damaged magnetic tube. | Calibrate the position of the magnetic tube to the positioning magnet, and replace magnetic tube as required |
| | Shaking motor, wrong rotation angle, losing step or damaged motor | Replace the motor as required. |
| Decreased brightness, uneven pattern projections | Normal end of lamp life. | Test the lamp in an adjacent fixture which is known to be operating properly and then replace as necessary |
| | The midline of the lamp is not aligned with the center point of the effect assembly (consisting of the rotating gobo wheel, static gobo wheel, color wheel, strobe, prism, and frost), focus module, and object lens. | Reinstall the lamp. Adjust the lamp position until the midline of the lamp is aligned with the center point of the effect assemblies (consisting of the rotating gobo wheel, static gobo wheel, color wheel, strobe, prism, frost, the focus adjusting module, and the object lens). |
| | Excessive dusts or smudges on the effect assembly, focus module and objective lens. | Follow the instructions stated in this user manual to clean the effect assembly, focus module and objective lens. |
| | Damaged or deformed effect assembly, focus module or objective lens. | Replace the damaged or deformed components |
| Wrong color | Normal end of lamp life | Test the lamp in an adjacent fixture which is known to be operating properly and then replace as necessary |
| | Excessive dusts or smudges on the rotating gobo wheel or color wheel. | Follow the instructions stated in this user manual to clean the rotating gobo wheel or color wheel. |

| Problem | Possible Cause | Suggested Correction |
|-----------------|---|---|
| | Rotating gobo wheel, color wheel with coating wearing off, damages or deformation | Replace the worn-off, damaged or deformed rotating gobo wheel and color wheel |
| Non-clear shape | Excessive dusts or smudges on the rotating gobo wheel or color wheel | Follow the instructions stated in this user manual to clean the rotating gobo wheel or color wheel. |
| | Excessive dusts or smudges on the focus module or objective lens | Follow the instructions stated in this user manual to clean the focus module or objective lens |
| | Damaged or deformed focus module or objective lens. | Replace the damaged or deformed focus module or objective lens. |

13. Spare parts list

| Name | P/N | Qty | Notes |
|-----------------|-------------|-----|----------------------------------|
| Power Supply | 1412050092A | 1 | LP565-220WPF37M-2 |
| Light source | 1306050523A | 1 | SSL290-84-R71-000 |
| display panel | 5809010427A | 1 | GTD-LM300 II BSW-101Q10 |
| Scanning plate | 5809010428A | 1 | GTD-LM300 II BSW-201P10 SCR0115A |
| drive board 1 | 5809010429A | 1 | GTD-LM300 II BSW-401P10 SCR0112B |
| drive board 2 | 5809010430A | 1 | GTD-LM300 II BSW-501P10 SCR0113B |
| LED drive board | 5809210241A | 1 | GTD-LM300 II BSW-301N10 LCR0117C |



Guangzhou GTD Culture & Technology Group Co., Ltd.

Tel: 86-20-61808288

Fax: 86-20-61812282

<http://www.gtd-china.com>