



LED Fresnel Spotlight
GTD-LYS200(CW/WW)
User's Manual

Guangzhou GTD Culture & Technology Group Co.,Ltd.

Tel: +86 20 61808296

Fax: +86 20 61812282

[www.gtd - lighting.com](http://www.gtd-lighting.com)

Contents

Safety instructions.....	3
1. Safety Warnings.....	4
2. Accessories	5
3. Introduction	
3.1 Dimensions.....	5
3.2 Structuring.....	6
4. Packing and Unpacking	
4.1 Unpacking.....	7
4.2 Packing after Use.....	7
5. Installation	
5.1 Clamps Installation	7
5.2 Device Installation	7
6. Power/Signal Connection	
6.1 Power Connection	8
6.2 Control Connection	8
6.3 Status checks.....	9
7. Control Panel	
7.1 Panel Introduction.....	9
7.2 Function-menu Operation.....	10
8. Main Technique Parameters.....	10
9. DMX Control Channel List	11
10. Control Wiring Diagram	11
11. Maintenance	
11.1 Cleaning and Maintenance	12
11.2 Troubleshooting	12
12. Spare parts list.....	13

Safety instructions:

1. This User Manual contains important information for all users. Please follow the instructions to install and operate the fixture safely. Keep this User Manual for future reference.
2. The fixture is fully configured and packed upon production. Operators should strictly comply with the warnings and operating instructions stated in this Manual. Any problems caused by mishandling or improper use will not be within the scope of warranty. For the latest documentation please visit our website: www.gtd-lighting.com.

Warning signs & labels



DANGER! Safety hazard. Risk of severe injury or death.



DANGER! Risk severe or lethal electric shock



Warning! Burn hazard. Hot surface. Do not touch.



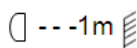
Warning! Risk of eye injury. Safety glasses must be worn.



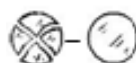
Suitable for contact with nonflammables



Suitable for indoor use



Minimum distance to illuminated surface




Anti-crack protective cover

ta.....°C Maximum ambient temperature


tc.....°C Maximum surface temperature under steady state condition

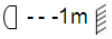
1、 Safety Warnings

- This product is for professional use only. Follow the safety precautions and observe all warnings in this manual when you install or operate the fixture.
- Upon receiving the product, check if there is any external damage caused by transportation before using the fixture. Should there be any damage caused by transportation, notify the shipper immediately. Keep the damaged parts and packing materials for future inspection.


-  This product is for indoor use only, IP20

- The fixture should be kept clean. Do not operate the fixture in extreme heat or dusty environments. Avoid contact with chemical liquid.
- Be aware of possible serious damages of fire, heat, electrical shocks, and ultraviolet radiation. Please read the instructions before installation or connecting the fixture to power. Follow the safety operation instructions. Carefully read the warning signs on the fixture and the Manual.

-  Avoid contact with any inflammable materials.

-  Do not illuminate surfaces within 1m of the fixture


- Do not operate the fixture if the ambient temperature exceeds 45° C.

-  The exterior of the fixture can reach temperatures up to 60° C.

- Always make sure to disconnect the fixture from power before removing or installing any parts.

- Cover, head shell or lens with visible damages such as cracks or scratches must be replaced to ensure performance of the fixture. Lamp should be changed if damaged or distorted in shape due to extreme heat.

- Make sure that the installation area can hold a minimum point load of 10 times the weight of all installed fixtures, clamps, cables, auxiliary equipment, etc. Check that the cover, clamps and locks are undamaged. Certified safety cables must always be used when installing the fixture.

-  Do not stare directly into the light output.

- Before applying power to the fixture, check that the source voltage matches the fixture's requirement. Every fixture must be earthed (grounded) and installed in accordance with local electricity regulations. Do not connect it to a dimmer system.

- Broken or damaged cables can only be fixed or changed by certified technicians, certified local distributors or the manufacturer to ensure operational safety.

- Do not stick filters or other materials onto the lens. Do not modify the fixture or install other than GTD manufactured parts

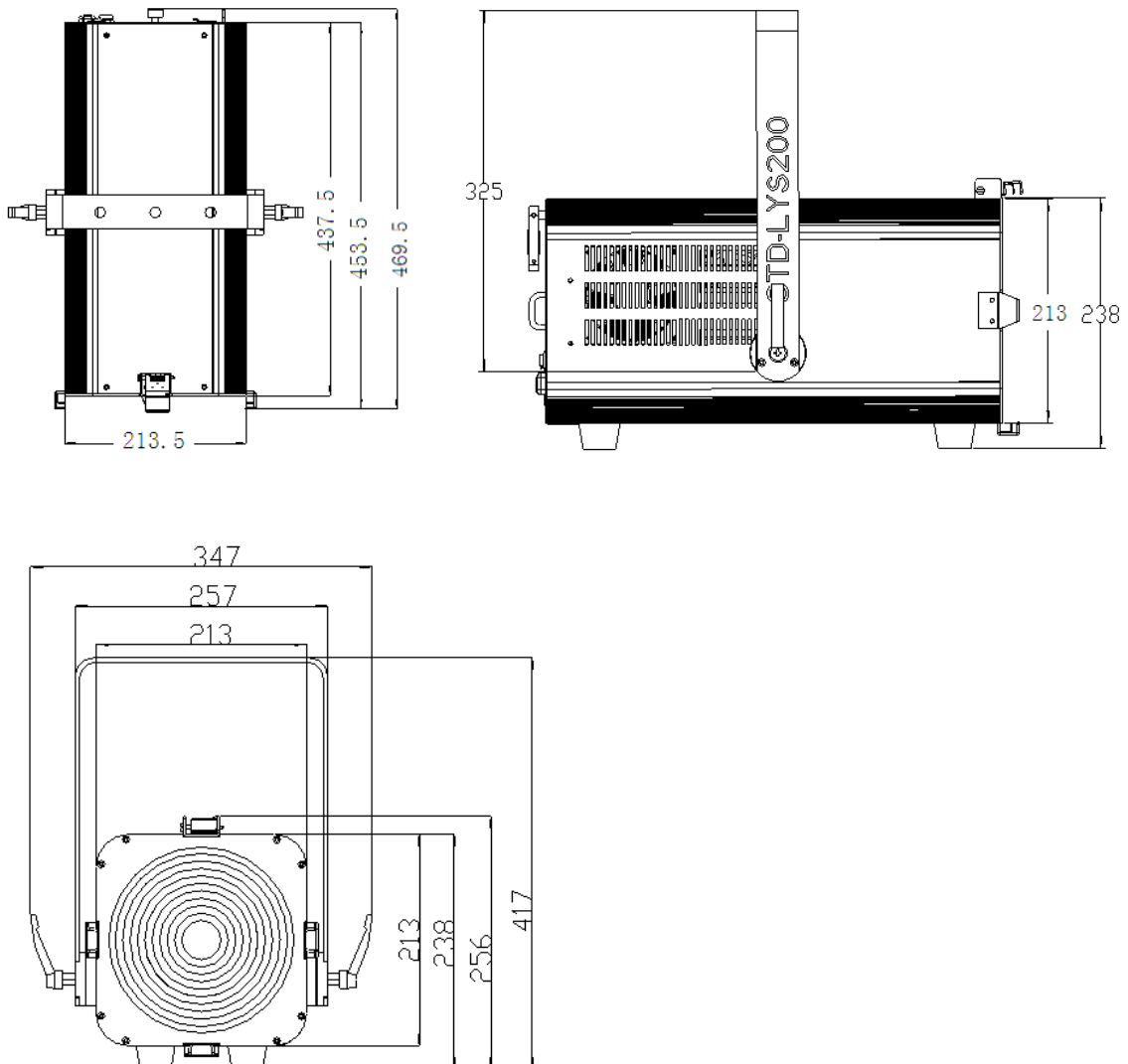
- Any question about the safety operation is there, please contact our technical personnel or call the service hotline +86 61808296.

2. Accessories

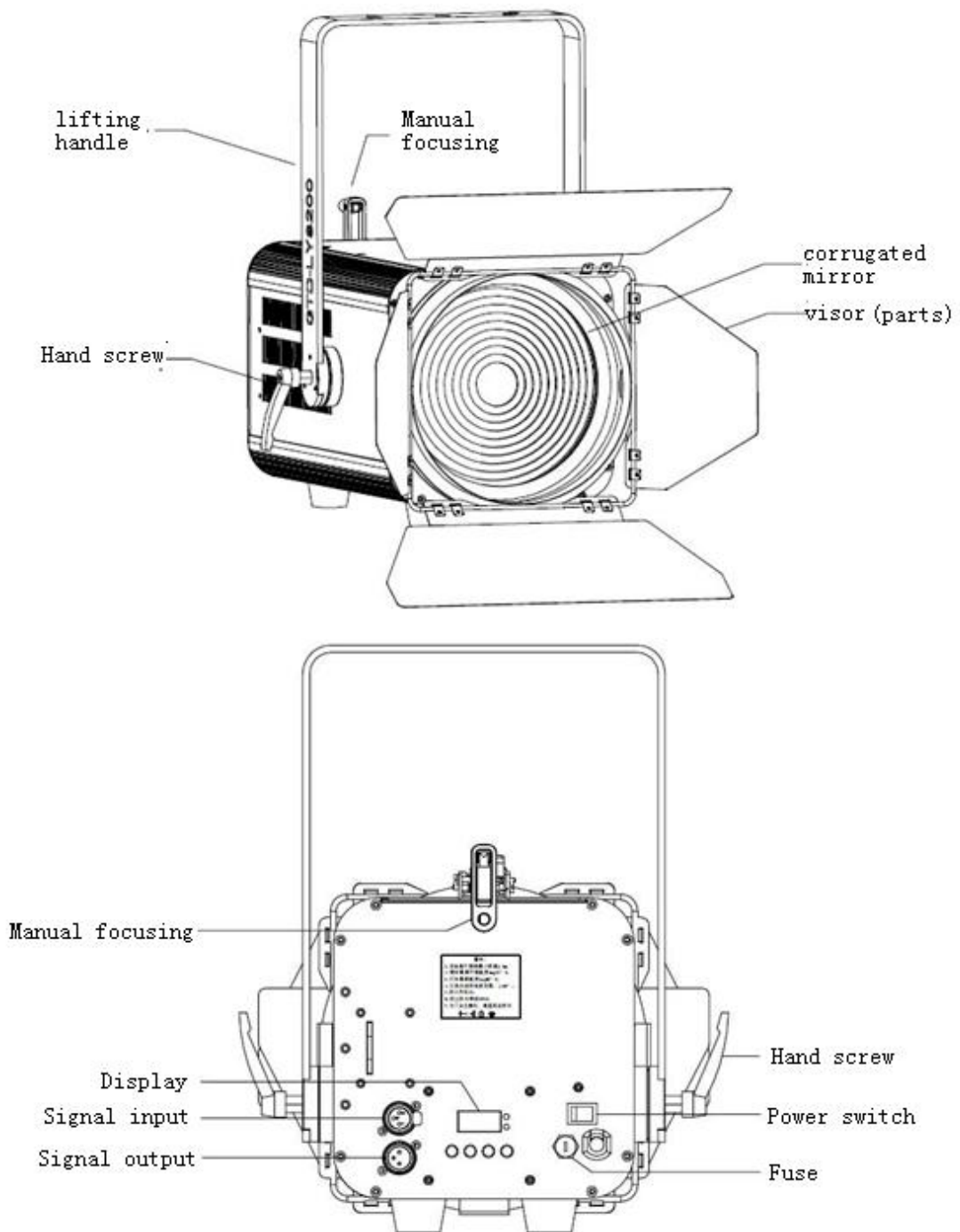
Item	Qty	Unit	Note
User's Manual	1	pc	
G clamps	1	set	
Barndoor for shading	1	Pc	
Safety cord	1	pc	
Signal line	1	pc	5m with plug and socket

3. Introduction

3.1 Dimension



3.2 Structuring



4. Packing and Unpacking

4.1 Unpacking

Attention: After receiving the fixture, please unpack and examine whether the device is damaged by shipping. If so, please do not use it. Contact the local technician or the manufacturer as soon as possible.

4.1.1. Flight-Case: Open the cover and / or the side of the flight-case, tear down the plastic packing bags, hold the handles of the fixture firmly and move the fixture out gently.

4.1.2. Cartons: Open the carton, take out the whole set of FOAM SHELL which contains both the Fixture and its accessories, then lift a piece of FOAM SHELL from the top, take away the accessories, and finally take out the fixture wrapped in the plastic bag.

4.2 Packing after Use

4.2.1. Before packing the fixture, disconnect the fixture from the power, allow it to cool at least 5 minutes;

4.2.2. Flight-Case: Wrap the fixture with plastic bag, grasp the handles to make the fixture upside down and gently put it into the flight case and fix it well; check that all the accessories are well packed and loaded into the flight-case. Then lock up the flight-case. Maximum 2 layers are allowed for piling up for the flight-cases. No Up-side Down is allowed.

4.2.3. Carton: Use the screw on each side of the fixture to adjust the yoke till it is parallel to the fixture. Wrap the fixture with plastic bag and put it into one FOAM SHELL carefully, then all the accessories shall be wrapped and put into the FOAM SHELL, mount another piece of FOAM SHELL to make the fixture and accessories well packaged before put the whole FOAM SHELL into the carton.

5. Installation

5.1 Clamps Installation

The fixture can be mounted on the stage or on the truss in any direction; the fast-lock clamp gives a quick and easy lock on the truss.

Warning!

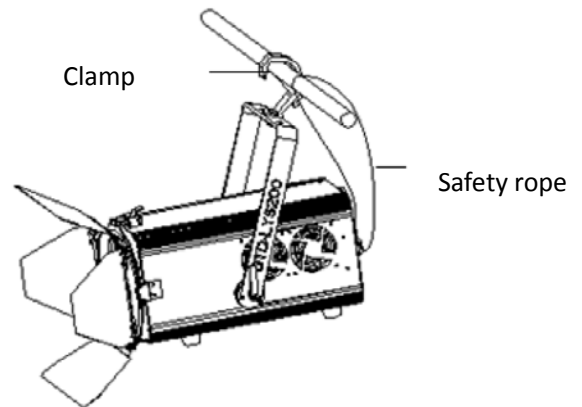
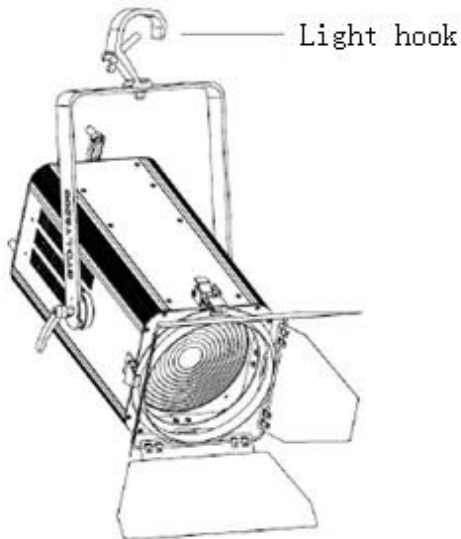
The fixture must be fixed with 1 set of quick-lock with quarter-turn fasteners, and a safety cord must be used to connect to the safety-cord-hole instead of the clamps or the handles.

5.2 Device Installation

5.2.1. Make sure there is no damage on the clamps and safety cords before installation, and that the mounting object can withstand 10 times of the total weight of the fixtures and accessories;

5.2.2. The clamp is mounted on the yoke of the fixture, with clockwise rotation to fasten it.

5.2.3. Before powering, make sure there are not any flammable goods within 1 meter range around the fixture.



6. Power/Signal Connection

6.1 Power Connection

Connection method:

L (Live) Brown wire

 (Earth) Yellow/Green bi-color wire

N (Neutral) Blue wire

The voltage and frequency of the power source must be in compliance with the ones marked on the fixture. It is strongly recommended that each fixture be connected to the power source separately so that they can be switched on / off individually.

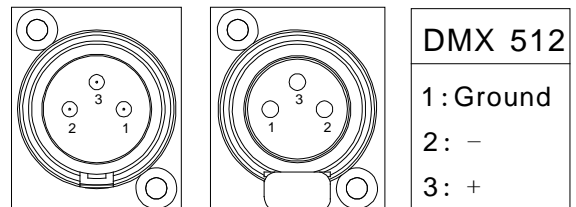
IMPORTANT

It is essential that each fixture is correctly grounded and the electrical installation conforms to all relevant Standards / Codes of Practice for Safe Electrical Work.

6.2 Control Connection

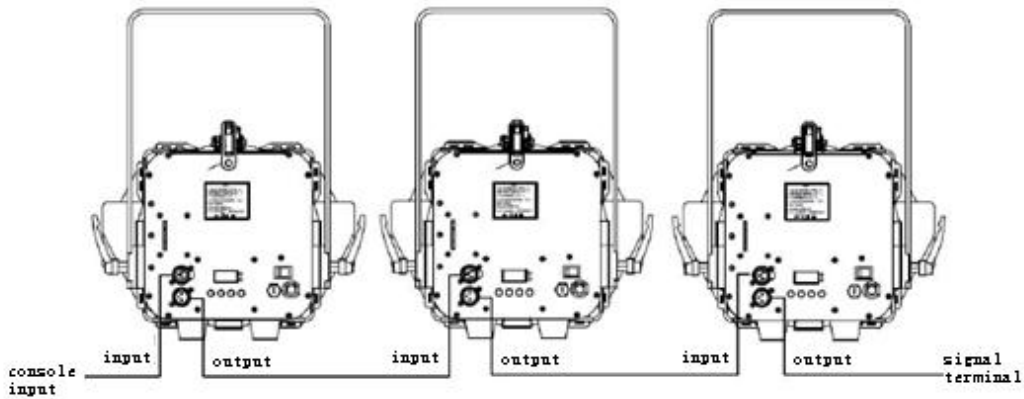
The fixture is set up with standard DMX Input and Output in 3-pin Plugs and Sockets, shown below;

Connection between console and fixture or between one fixture and another must be made with a 2 core-screened DMX signal cable; the maximum connecting distance of signal cable is 150 meters; additional DMX512 signal-amplifier is necessary for the longer distance signal transmission.



Connect the Console's DMX OUTPUT to the first fixture's DMX INPUT, and connect the first fixture's DMX OUTPUT to the second fixture's DMX INPUT and connect the rest fixtures in the same way. Finally connect the last fixture's 3-pin XRL socket to a terminal plug. Connect a DMX terminal, (resistance 120 Ohm 1/4 W) between PIN 2 and PIN 3 of the last fixture.

Connection as the following:

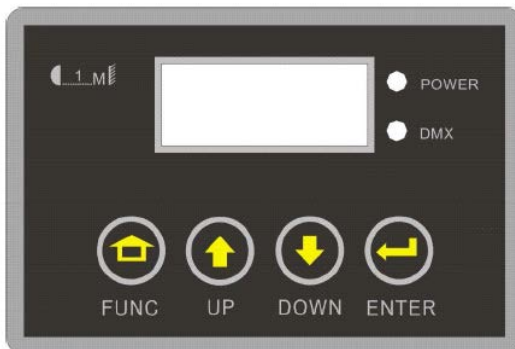


6.3 Status checks

Use the supplied power cable and signal cable to connect the fixture. If the fixture functions normally after connecting to AC power, it is then ready to be operate.

7. Control Panel

7.1 Panel Introduction



- The control panel with buttons and LCD display can access the function menu and configure the fixture easily.
- Press FUNC to check or modify the functions of the fixture; Press UP or DOWN to view or select the function menu.
- Press ENTER to choose a function menu and enter into corresponding sub menu. Each menu represents a specific function of the fixture (see chart below)
- Press ENTER to select the specific function and save the changes or enter into the submenu, then press UP or DOWN to change value of the selected function (increase and decrease).
- Press FUNC (or Menu) to return to the upper menu or exit.

LED indicator:

Power On: with Red LED on;

Signal On: with Green LED on;

No Signal: with green LED off;

7.2 Function-menu Operation

0	Addr	AXXX A001		DMX Address
1	DIMM	DXXX D255		static dimming
2	SET	RDMX	ON/OFF	change address values
		DISP	ON/OFF	reverse by 180°display
		Ver	V1.0~V9.9	software version

8. Main Technique Parameters

- Structure

Featuring a simple and modulated structure, GTD-LYS200 is comprised of optical, mechanical and electronic systems. It requires low and easy maintenance.

- Light source

Single 200W LED

Color temperature: WW-3200K; CW-5600K

Color rendering index: >90Ra

Average life time 5000H

- Power supply

100v~240v AC, 50Hz/60Hz

213W

- Optic system

- Light spot angle: 15°-65°manual linear adjustment

- Linear dimming: 0-100% electronic linear dimming

- Control mode: DMX512 and manual adjustment

- Other features

- Advanced heat sink system, low noise

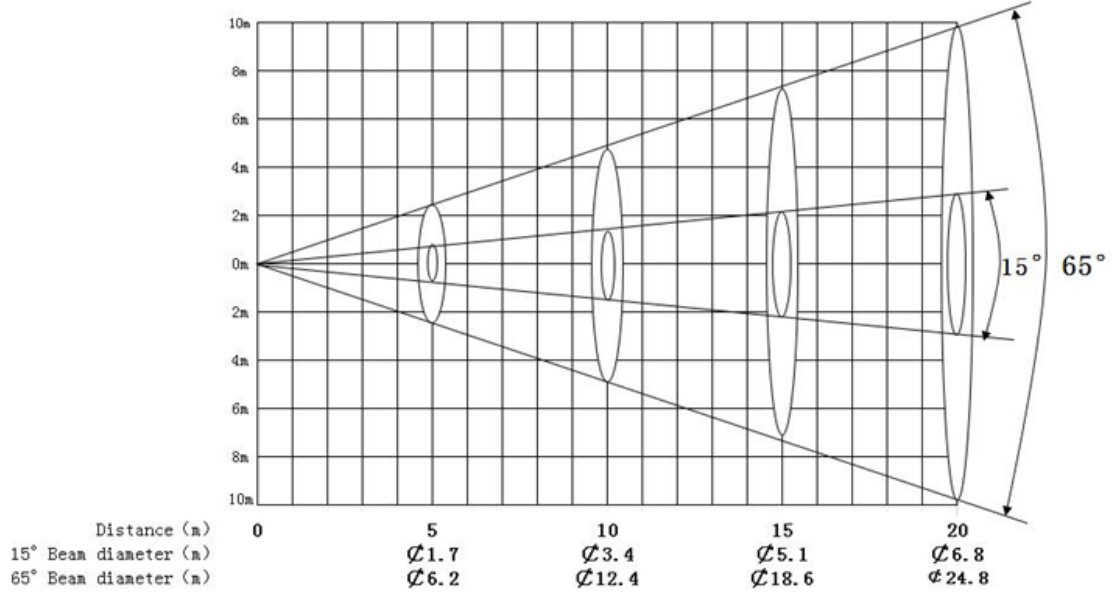
- One control channel

- Control mode: DMX512 and manual adjustment

- Weight: 7.5Kg

- Optical Data

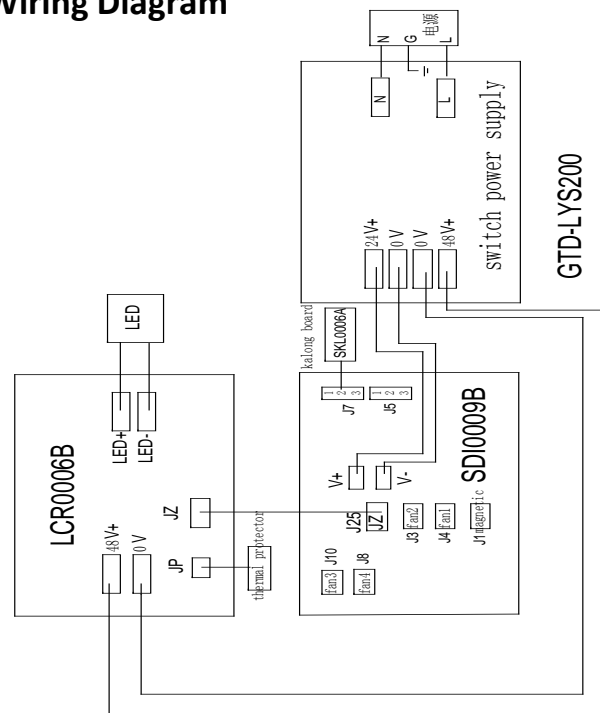
65° Brightness (Lx)	552	180	88	46
15° Brightness (Lx)	4260	1108	500	263



9. DMX Control Channel List

Channel	Function	Value	Description
1	Dimming	0-255	0-100%

10. Control Wiring Diagram



11. Maintenance

11.1 Cleaning and Maintenance

Regular inspections are recommended to insure proper function and extended life. Please refer all other service issues to an authorized GTD service technician.

Attention! The damage results from dust, smoke, oil or abnormal use is not under the warranty.

Warning: Disconnect from the power source before open the shell. The coating is easy to be scratched, so please be careful when cleaning the optical components. Do not use any organic solvent, e.g. alcohol, to clean the reflector mirror, dichroic colour filters or housing of the fixture.

- When the lens is cracked or otherwise damaged, replace it timely.
- If the LED lamp becomes damaged or deformed in any way it must be replaced.
- If the light from the LED lamp appears dim this normally indicate that it is reaching the end of its life span and should be changed at once. Aged LED lamps run to the extremity of their life might explode.
- If fixture does not function, check the fuse on the power socket of the fixture. Replace the fuse of the same specification if it is blown.
- The fixture is equipped with thermal-protection device that will switch off the LED lamp in case of overheating. If this happens, please check that the fans are not blocked, and clean them if they are dirty. Check whether the fans are operational. If not, call a qualified technician. Find troubles and shoot them before switching on the fixture again. Any maintenance work should only be carried out by qualified technicians.

11.2 Troubleshooting

PROBLEM	ANALYSIS	ACTION
No action after power on	Check whether the power switch is on, if not,	Open
	Check whether the fuse is blown, if yes,	Replace
	Check whether the switching power supply output is normal	Check voltage
	Check whether there is loose connection for internal wiring	Re-connect
Fixture is out of control	Check whether the DMX signal cable is connected properly (if there is no signal input, the green indicator won't work)	Re-connect or Replace
	Check whether the ADD is correct, whether the DMX mode is consistent with the console settings	Re-confirm
	Digital control board is damaged	Replace
LED Lamp off	Aging or damaged	Replace
	Power board failure	Check/Replace
	Loose connection	Re-connect
	Trigger failure	Replace
	Ballast failure	Replace
Luminous efficiency decaying, uneven spot	LED Lamp aging	Replace
	Dust or smudges on the optical lens	Clean
	Lens damaged	Replace

Attention! The above analysis only for abnormal reference, non-professional workers do not dismantle machine for maintenance.

12. Spare parts ordering code

Item	Material No.	Qty	Notes
Lens	1301050005A	1	DPT-F21CH-K9B 3200k RA90
LED (CW)	1306050504A	1	DPT-F21CW-LC CW 5600k RA90
LED (WW)	1306050505A	1	DPT-F21CH-K9B WW 3200k RA90
LED driver board	5802030034A	1	LCR0006B
Display board	5809210024A	1	SDI0009B
Switching power supply	1412050019A	1	280W

GTD

Guangzhou GTD Culture & Technology Group Co.,Ltd.

Tel: +86-20-61808296

Fax: +86 20 61812282

[www.gtd - lighting.com](http://www.gtd-lighting.com)

Code: 1502011030B

Time: August 7rd, 2015

Note: This User's Manual is subject to technical changes without prior notice.